

AUTOMATIC AIR VENT VALVE
Size 1/2" - 1" PN16
FIG • 9701

Specification

- Small orifice of 1/16 in. (1.6mm) to release air under pressure during normal pipeline operation .
- The float is connected to the vent via a linkage mechanism which is capable of operating the vent under full pipeline pressure.
- NPT or Metric thread of inlet.

Working Pressure

- 16 bar

Working Temperature

- -10°C to 120°C

Corrosion Protection

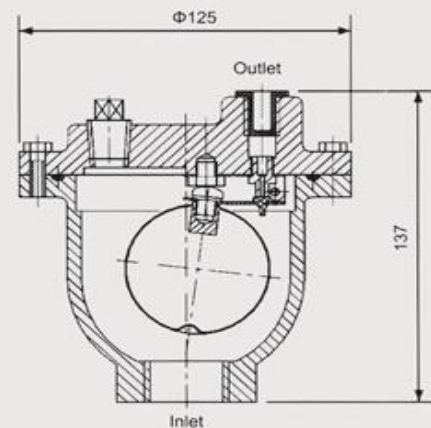
- Internally and externally liquid epoxy painted or fusion bonded epoxy powder coated (FBE).

Notes: Design and material are subject to change without notice.

Material Specification

Part Name	Material	EN Spec.	ASTM Spec.
Body	Cast Iron	EN-JL 1040	ASTM A126 Class B
Cover	Cast Iron	EN-JL 1040	ASTM A126 Class B
Lever Frame	Stainless Steel	BS970 304S15	AISI 304
Seat	Stainless Steel	BS970 304S15	AISI 304
Float ball	Stainless Steel	BS970 304S15	AISI 304
Gasket	EPDM	Commercial	Commercial
Cover Bolt	Carbon Steel	Carbon Steel	A307B
Float Arm	Stainless Steel	BS970 304S15	AISI 304
Orifice Button	Viton	Commercial	Commercial
Pivot Pin	Stainless Steel	BS970 304S15	AISI 304
Pin Retainer	Stainless Steel	BS970 304S15	AISI 304
Plug	Brass	CuZn39Pb3	ASTM B16 C36000
Locator	Stainless Steel	BS970 304S15	AISI 304

Drawing and Picture



Dimensions(mm/inch)

Size	Inlet Size	Outlet	Orifice Size	Weight(kg)
1/2"	1/2" BSP or NPT	1/2" BSP or NPT	1/16"	3
3/4"	3/4" BSP or NPT	1/2" BSP or NPT	1/16"	3
1"	1" BSP or NPT	1/2" BSP or NPT	1/16"	3