

Pressure Switches Series PDS

Electromechanical Pressure Switch

Switching Point adjustable: 0,2 to 2 bar
 0,5 to 8 bar
 1,0 to 16 bar



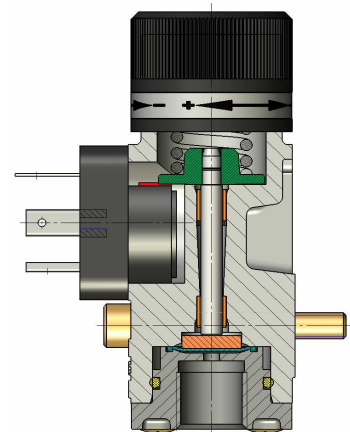
Features

With the Pressure Switches Series PDS pneumatic (hydraulic) signals are changed into electrical signals. The switching point is fully adjustable by means of a simple adjusting knob within the operating pressure range (see Technical Data → Operating Pressure Range).

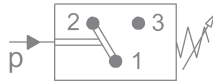
The built-in micro switch can be used to open, close or change the circuit.

The pressure switches are intended for use under normal industrial conditions. Models for use in special environmental conditions, as well as other special setting requirements are available by request.

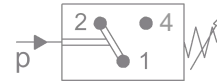
Sockets with or without LEDs can be supplied as accessories.



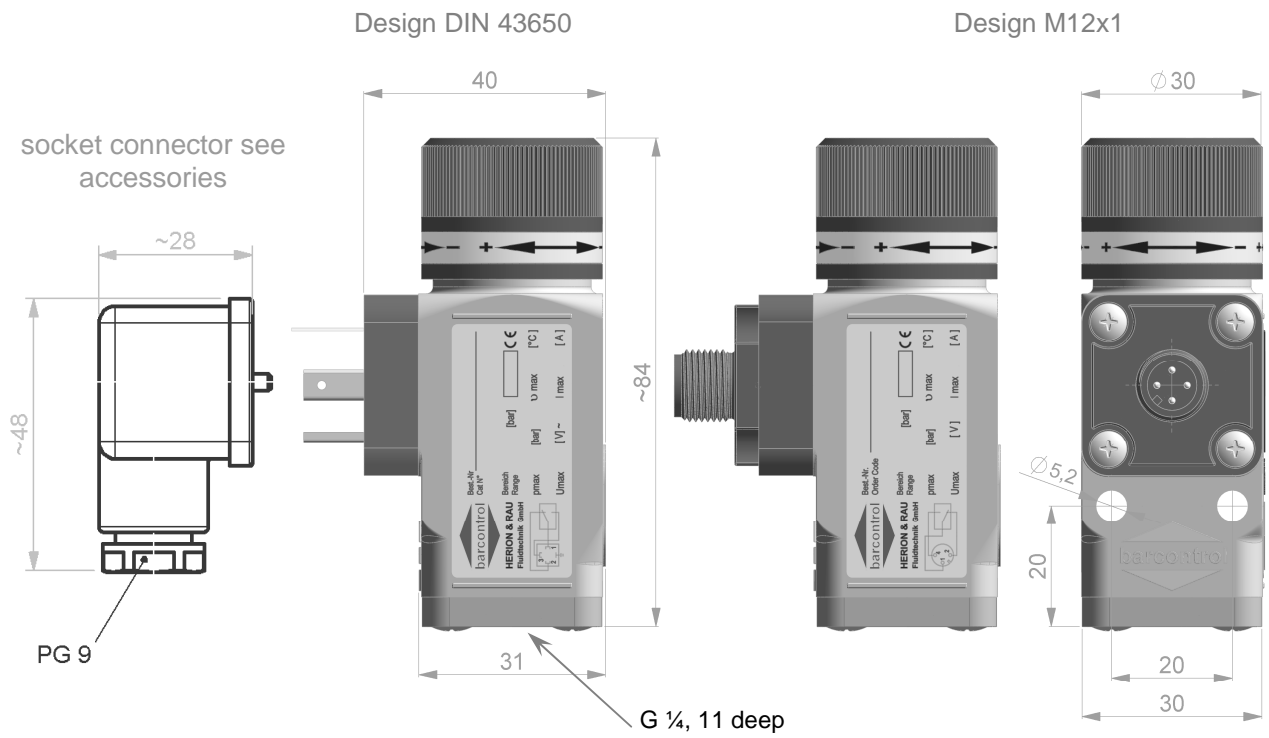
DIN 43650:



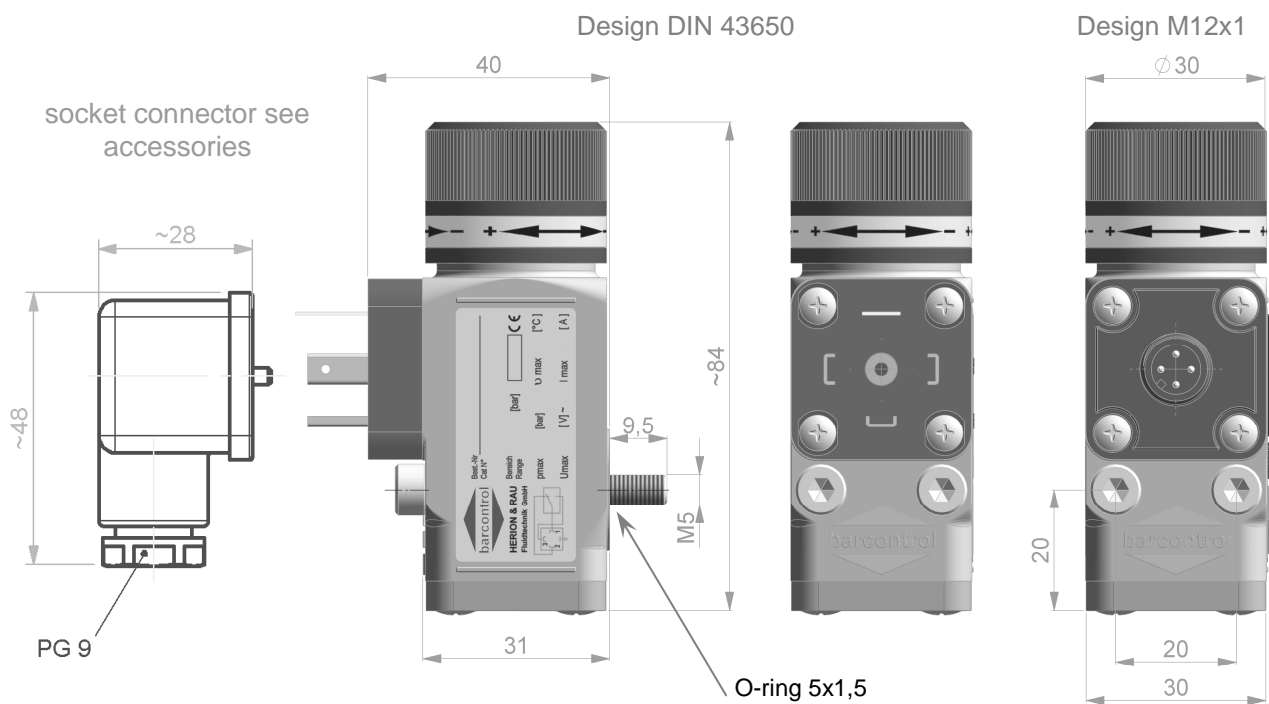
M12x1:



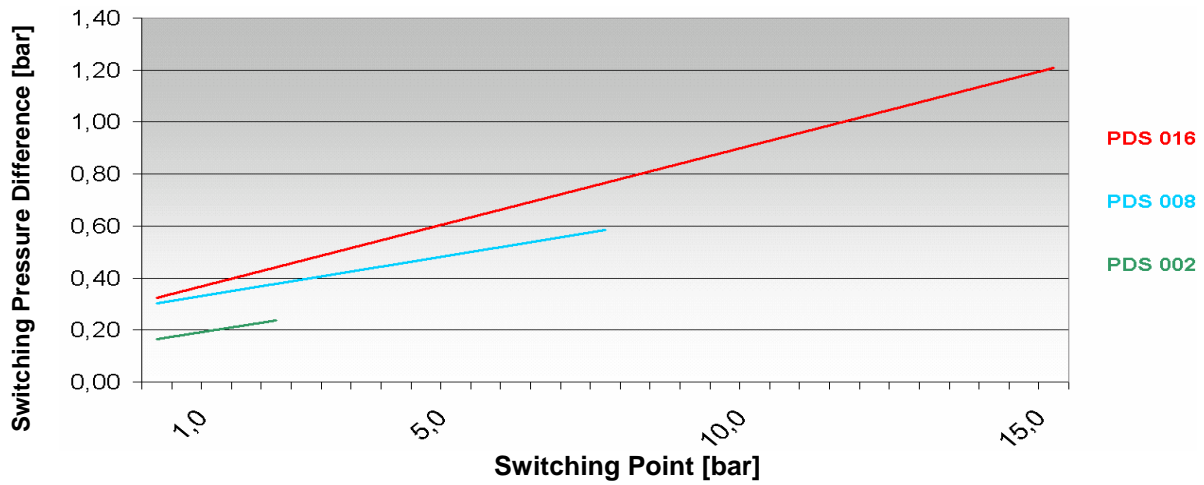
Fluid:	Neutral gaseous and liquid fluids
Mounting holes:	2 through-holes in housing, Ø5,2mm
Fluid Connection:	G1/4", Flange
Mounting position:	optional
Operating pressure range:	0,2...2 bar ; 0,5...8 bar ; 1...16 bar
Repeatability:	±2% of operating range maximum value
Switching pressure difference:	see Diagram Switching pressure difference page 4
Max. switching frequency:	200/min
Temperature range:	-10°C bis +80°C
Vibration resistance:	10g (10 ... 2000Hz)
Shock resistance:	30g
Electrical connection:	According to DIN 43650, Type A (EN175301-803, ISO 4400); M12x1
Switching element:	Spring-snap switcher with self-cleaning contacts
Operating voltage at operating category :	AC12: VDE0660 (EN60947): 4A at 250 VAC AC14: VDE0660 (EN60947): 1A at 250 VAC DC12: VDE0660 (EN60947): 3A at 28 VDC DC14: VDE0660 (EN60947): 1A at 28 VDC
CE-Certification:	Acc. to EU-Standard 73/23/EWG
Degree of protection:	IP65; M12x1: IP67
Material:	Housing: Zinc pressure die-cast; Adjustment knob: Aluminium pulver-coated; Seals/Diaphragm: NBR
Weight:	0,295 kg



Fluid Connection: Flange

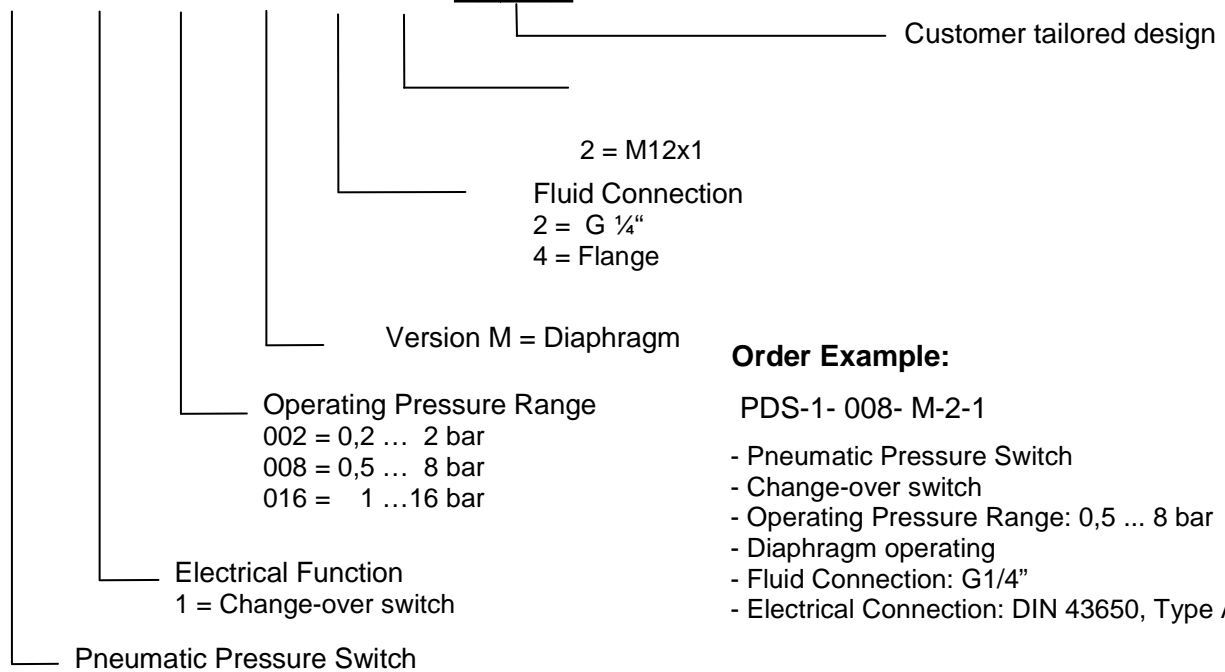


Switching Pressure Difference



Order Code

PDS - 1 - XXX - M - X - X - GE XXX



Order Example:

PDS-1- 008- M-2-1

- Pneumatic Pressure Switch
- Change-over switch
- Operating Pressure Range: 0,5 ... 8 bar
- Diaphragm operating
- Fluid Connection: G1/4"
- Electrical Connection: DIN 43650, Type A

Accessories

Standard Socket, DIN 43650 Type A, ISO 4400	Part Number. 11 000
28V Socket with 2 LEDs, DIN 43650	Part Number. 11 001
110V Socket with 2 LEDs, DIN 43650	Part Number. 11 002
230V Socket with 2 LEDs, DIN 43650	Part Number. 11 003
Socket with cable (L=1,5m), 4-pole, straight, for M12x1	Part Number. 11 041

Specifications are subject to change without notice