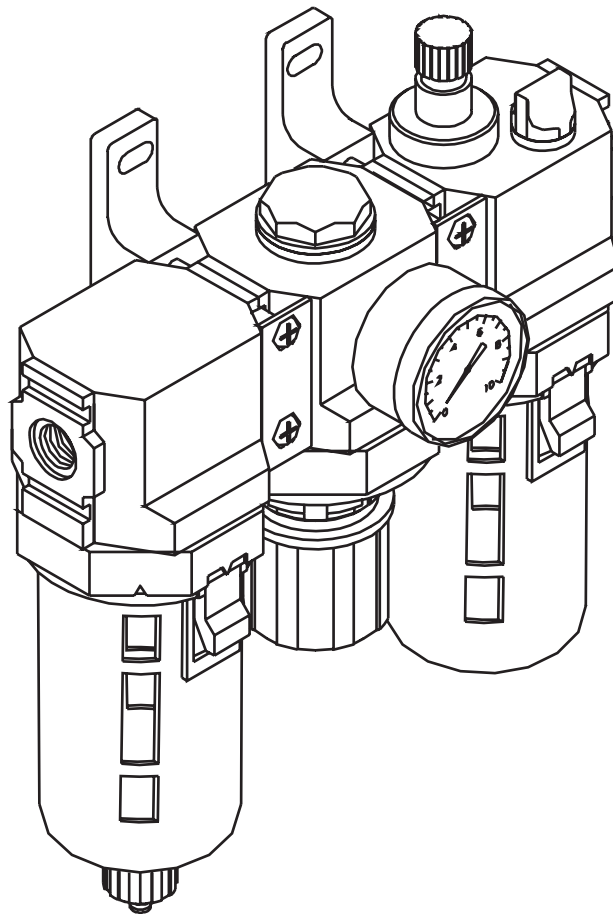


# AF/AR/AL Series Air Preparation Units

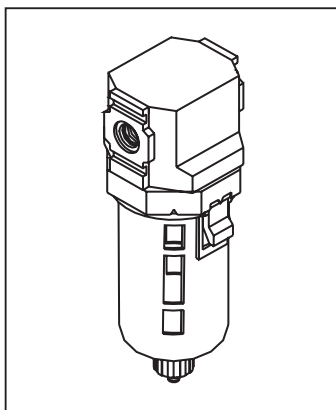


Quality  
Endorsed  
Company  
ISO 9001  
Lic 0689  
Standards  
Australia

*Vital Technologies for  
Motion and Control*



AF Series Filters. ....	2
AR Series Regulators. ....	4
AFR Series Filter/Regulators . ....	6
AL Series Lubricators. ....	8
AU Series Filter+Regulator+Lubricator Sets .....	10
AU Series Filter/Regulator+Lubricator Sets .....	12
Accessories and Spare Parts. ....	14
Mountings and Body Connectors .....	16



## Features

- Large surface 5 micron elements
- High flow rates
- Highly efficient in removing liquids and solids
- Modular system with BSPT ports
- Global product
- Secure but easily removable bowls
- Bowl guards are standard
- 360° visibility of water level
- FRL units may be assembled for right-to-left or left-to-right flow pattern

## Ordering Information

Part Number	Nominal body size	Port size	Element	Drain	Bowl	Bowl guard
AF200-8	1/8" 3.1mm	Rc1/4	5 micron	Manual	Polycarbonate	None
AF200-8AD20	1/8" 3.1mm	Rc1/4	5 micron	Auto	Polycarbonate	None
AF320-8	3/8" 9.5mm	Rc1/4	5 micron	Manual	Polycarbonate	With quick release
AF320-8-AD41	3/8" 9.5mm	Rc1/4	5 micron	Auto	Polycarbonate	With quick release
AF320-10	3/8" 9.5mm	Rc3/8	5 micron	Manual	Polycarbonate	With quick release
AF320-10-AD41	3/8" 9.5mm	Rc3/8	5 micron	Auto	Polycarbonate	With quick release
AF420-15	1/2" 12.7mm	Rc1/2	5 micron	Manual	Polycarbonate	With quick release
AF420-15-AD41	1/2" 12.7mm	Rc1/2	5 micron	Auto	Polycarbonate	With quick release

## Technical information

Working pressure:	0.5 – 8.5 bar, 50 – 850 kPa, 7 – 120 PSI		
Working temperature:	0 – 60°C		
Flow rates:	Please refer to diagrams on page 3		
Elements:	Porous plastic		
Sump capacity:	AFR200: 11 mL	AFR320: 52 mL	AFR420: 116 mL
Visibility:	360° visibility of water level		
Servicing:	No tools are required for removing bowl and replacing element		
Accessories:	Filter-to-regulator bolt kit supplied with each AF200 filter		
Combination sets:	Combination sets are supplied as kits of components for user to assemble		
Materials:	Certain components in these products are made of aluminium. For equivalent products with no aluminium components contact Parker Technical Service.		

## CAUTION:

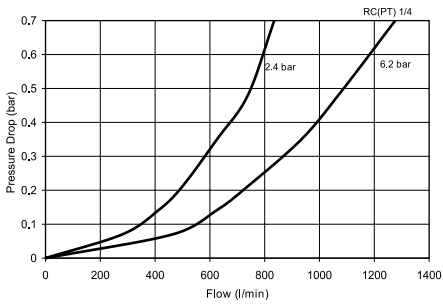
Polycarbonate bowls, being transparent and tough, are ideal for use with Filters and Lubricators. They are suitable for use in normal industrial environments, but should not be located in areas where they could be subjected to direct sunlight, an impact blow, nor temperatures outside of the rated range. As with most plastics, some chemicals can cause damage. Polycarbonate bowls should not be exposed to chlorinated hydro-carbons, ketones, esters and certain alcohols. They should not be used in air systems where compressors are lubricated with fire-resistant fluids such as phosphate ester and di-ester types.

Metal bowls are recommended where ambient and/or media conditions are not compatible with polycarbonate bowls. Metal bowls resist the action of most such solvents, but should not be used where strong acids or bases are present or in salt laden atmospheres. Consult the factory for specific recommendations where these conditions exist.

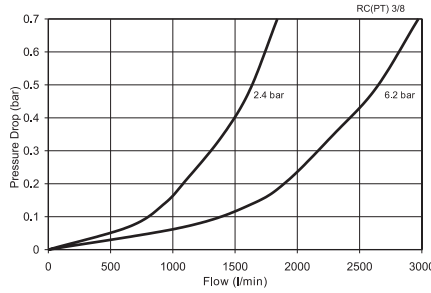
**TO CLEAN POLYCARBONATE BOWLS USE MILD SOAP AND WATER ONLY!**  
**DO NOT** use cleansing agents such as acetone, benzene, carbon tetrachloride, gasoline, toluene, etc., which are damaging to this plastic.

## Performance Characteristics

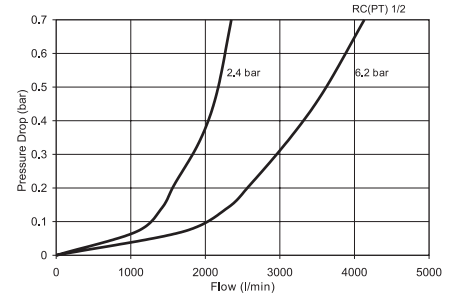
### AF200-8



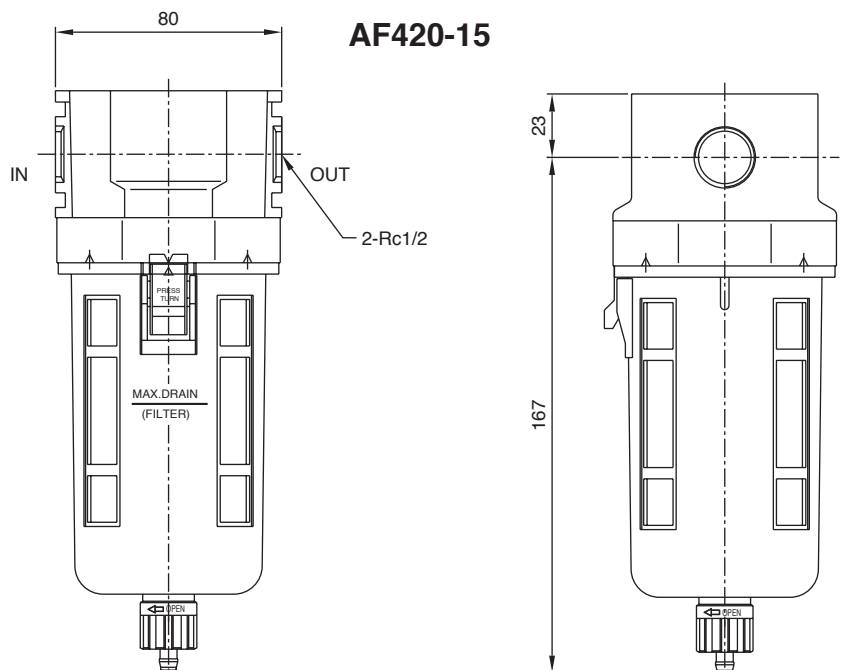
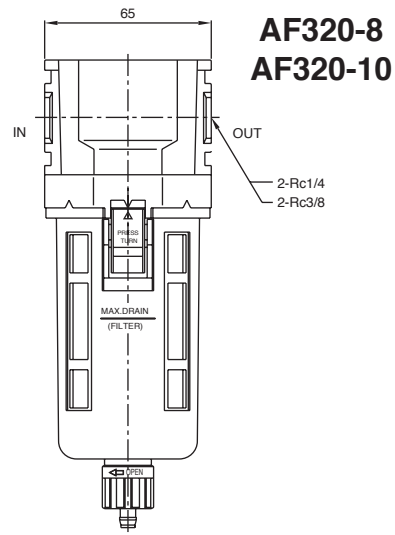
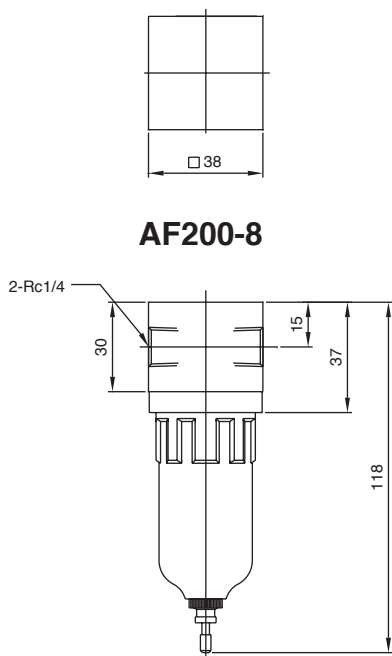
### AF320-10



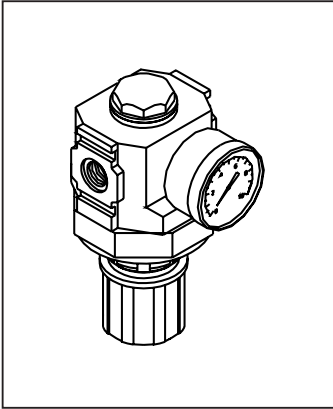
### AF420-15



## Dimensions



For information on mountings and accessories please refer to page 16



### Features

- High flow rates
- Accurate pressure regulation
- Quick response
- Modular system with BSPT ports
- Mounting bracket included
- Pressure gauge included
- Global product
- Non-rising removable adjustment knobs
- Balanced poppets
- FRL units may be assembled for right-to-left or left-to-right flow pattern

### Ordering Information

Part Number	Nominal body size	Port size	Type
AR200-8	1/8" 3.1mm	Rc1/4	Bleed
AR320-8	3/8" 9.5mm	Rc1/4	Bleed
AR320-10	3/8" 9.5mm	Rc3/8	Bleed
AR420-15	1/2" 12.7mm	Rc1/2	Bleed

### Technical information

Working pressure:	0.5 – 8.5 bar, 50 – 850 kPa, 7 – 120 PSI
Working temperature:	0 – 60°C
Flow rates:	Please refer to diagrams on page 5
Adjustment:	By non-rising lockable knob
Accessories:	Supplied with mounting bracket and pressure gauge as standard
Combination sets:	Combination sets are supplied as kits of components for user to assemble
Materials:	Certain components in these products are made of aluminium. For equivalent products with no aluminium components contact Parker Technical Service.

### CAUTION:

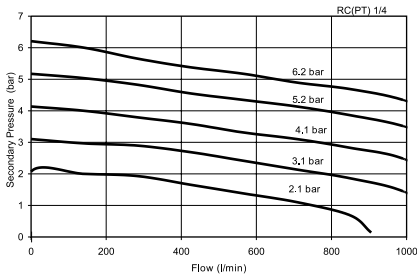
**REGULATOR PRESSURE ADJUSTMENT** – The working range of knob adjustment is designed to permit outlet pressures within their full range. Pressure adjustment beyond this range is also possible because the knob is not a limiting device. This is a common characteristic of most industrial regulators, and limiting devices may be obtained only by special design.

# Air Line Regulators

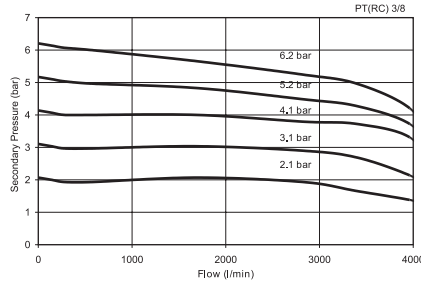
# Parker AF/AR/AL Series Air Preparation Units

## Performance Characteristics

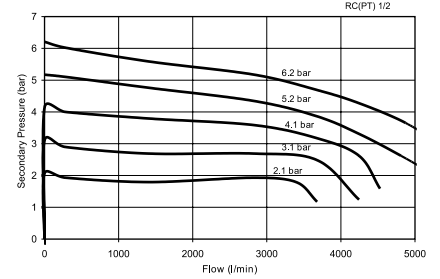
**AR200-8**



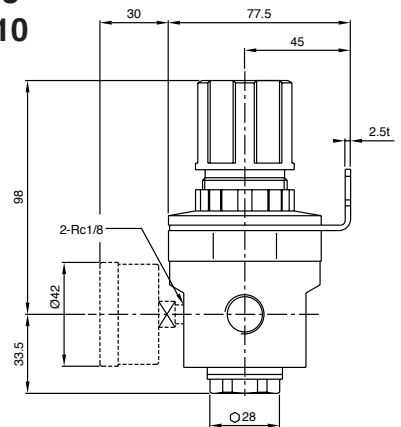
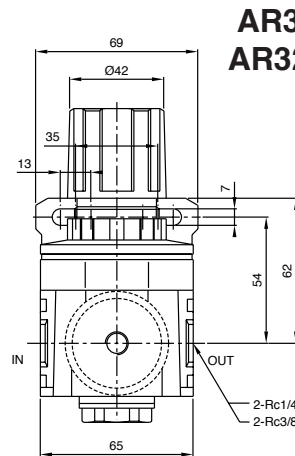
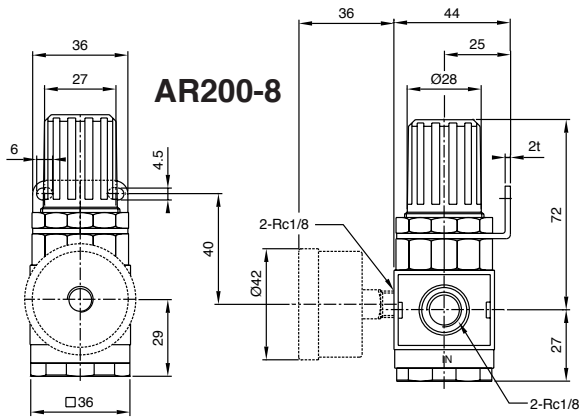
**AR320-10**



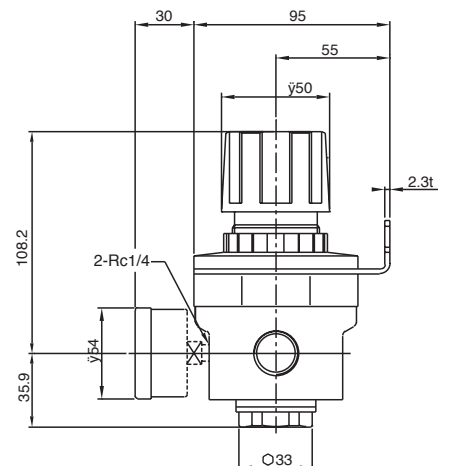
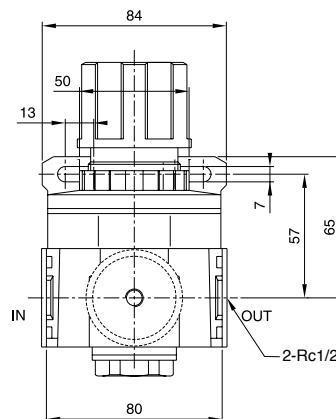
**AR420-15**



## Dimensions



**AR420-15**



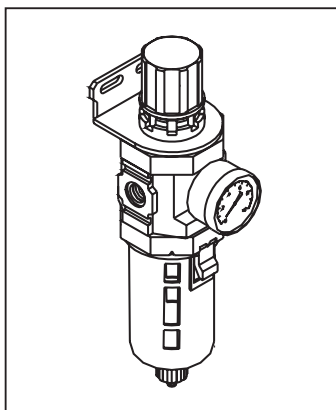
For information on mountings and accessories please refer to page 16

### For panel mounting

Part Number	Hole dia	Max. panel thickness
AR200-8	30	4
AR320-8	37	4
AR320-10	37	4
AR420-15	43	4

# Air Line Filter/Regulators AFR Series

# Parker AF/AR/AL Series Air Preparation Units



## Features

- Large surface 5 micron elements
- High flow rates
- Highly efficient in removing liquids
- Highly efficient in removing solids
- Accurate pressure regulation
- Quick response
- Modular system with BSPT ports
- Secure but easily removable bowls
- FRL units may be assembled for right-to-left or left-to-right flow pattern
- Bowl guards are standard
- 360° visibility of water level
- Mounting bracket included
- Pressure gauge included
- Global product
- Non-rising removable adjustment knobs

## Ordering Information

Part Number	Nominal body size	Port size	Filter		Bowl	Bowl guard	Regulator Type
			Element	Drain			
AFR200-8	1/8" 3.1mm	Rc1/4	5 micron	Manual	Polycarbonate	None	Bleed
AFR200-8AD20	1/8" 3.1mm	Rc1/4	5 micron	Auto	Polycarbonate	None	Bleed
AFR320-8	3/8" 9.5mm	Rc1/4	5 micron	Manual	Polycarbonate	With quick release	Bleed
AFR320-8-AD41	3/8" 9.5mm	Rc1/4	5 micron	Auto	Polycarbonate	With quick release	Bleed
AFR320-10	3/8" 9.5mm	Rc3/8	5 micron	Manual	Polycarbonate	With quick release	Bleed
AFR320-10-AD41	3/8" 9.5mm	Rc3/8	5 micron	Auto	Polycarbonate	With quick release	Bleed
AFR420-15	1/2" 12.7mm	Rc1/2	5 micron	Manual	Polycarbonate	With quick release	Bleed
AFR420-15-AD41	1/2" 12.7mm	Rc1/2	5 micron	Auto	Polycarbonate	With quick release	Bleed

## Technical information

Working pressure:	0.5 – 8.5 bar, 50 – 850 kPa, 7 – 120 PSI		
Working temperature:	0 – 60°C		
Flow rates:	Please refer to diagrams on page 7		
Elements:	Porous plastic		
Sump capacity:	AFR200: 11 mL	AFR320: 52 mL	AFR420: 116 mL
Visibility:	360° visibility of water level		
Regulator adjustment:	By non-rising lockable knob		
Accessories:	Supplied with mounting bracket and pressure gauge as standard		
Servicing:	No tools are required for removing bowl and replacing element		
Combination sets:	Combination sets are supplied as kits of components for user to assemble		
Materials:	Certain components in these products are made of aluminium. For equivalent products with no aluminium components contact Parker Technical Service.		

## CAUTION:

Polycarbonate bowls, being transparent and tough, are ideal for use with Filters and Lubricators. They are suitable for use in normal industrial environments, but should not be located in areas where they could be subjected to direct sunlight, an impact blow, nor temperatures outside of the rated range. As with most plastics, some chemicals can cause damage. Polycarbonate bowls should not be exposed to chlorinated hydro-carbons, ketones, esters and certain alcohols. They should not be used in air systems where compressors are lubricated with fire-resistant fluids such as phosphate ester and di-ester types.

Metal bowls are recommended where ambient and/or media conditions are not compatible with polycarbonate bowls. Metal bowls resist the action of most such solvents, but should not be used where strong acids or bases are present or in salt laden atmospheres. Consult the factory for specific recommendations where these conditions exist.

## CAUTION:

**REGULATOR PRESSURE ADJUSTMENT** – The working range of knob adjustment is designed to permit outlet pressures within their full range. Pressure adjustment beyond this range is also possible because the knob is not a limiting device. This is a common characteristic of most industrial regulators, and limiting devices may be obtained only by special design.

## TO CLEAN POLYCARBONATE BOWLS USE MILD SOAP AND WATER ONLY!

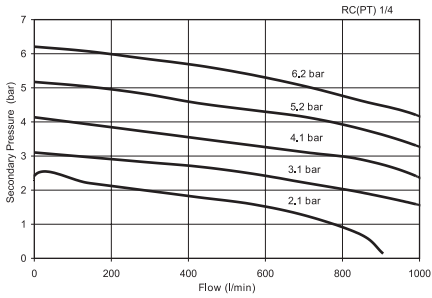
**DO NOT** use cleansing agents such as acetone, benzene, carbon tetrachloride, gasoline, toluene, etc., which are damaging to this plastic.

# Air Line Filter/ Regulators

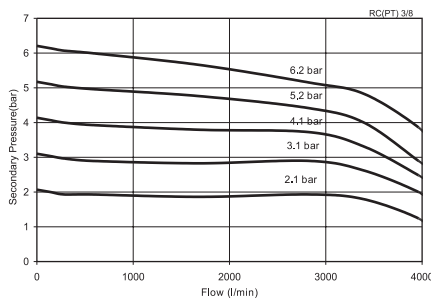
## Parker AF/AR/AL Series Air Preparation Units

### Performance Characteristics

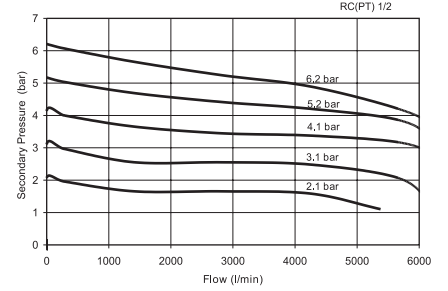
**AFR200-8**



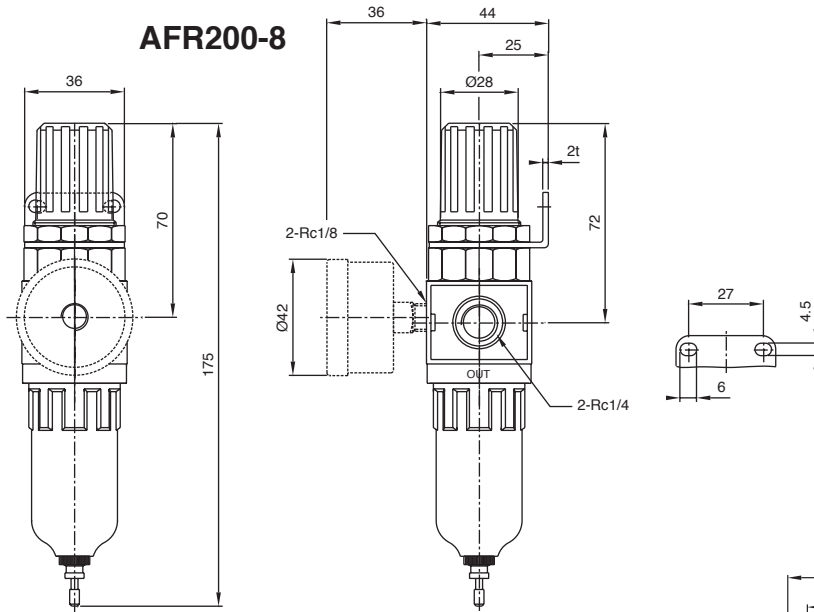
**AFR320-10**



**AFR420-15**

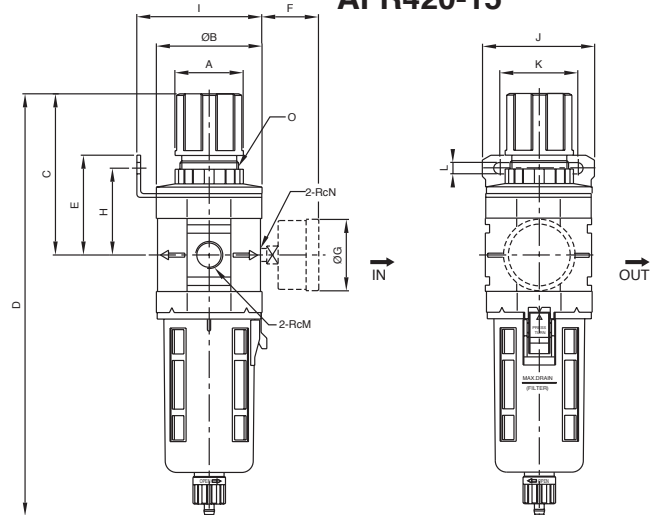


### Dimensions



For information on mountings and accessories please refer to page 16

**AFR320-8  
AFR320-10  
AFR420-15**

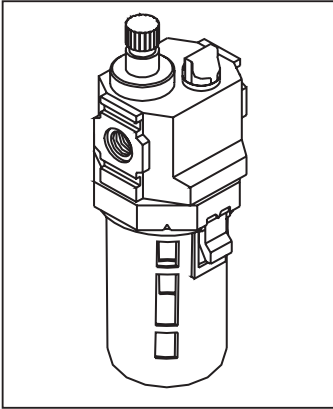


### For panel mounting

Part Number	Hole dia	Max. panel thickness
AFR200-8	30	4
AFR320-8	37	4
AFR320-10	37	4
AFR420-15	43	4

MODEL	A	B	C	D	E	F	G	H	I	J	K	L	M	N	O
AFR320	42	65	98	248	61.5	30	45	53.5	77	69	48	7	1/4 3/8	1/8	M36X1.5
AFR420	50	80	110	279	65	35	54	57	94.5	84	63	7	1/2	1/4	M42X1.5





### Features

- High flow rates
- Oil delivery proportional to air flow
- Modular system with BSPT ports
- Global product
- Secure but easily removable bowls
- 360° visibility of oil level and oil feed
- FRL units may be assembled for right-to-left or left-to-right flow pattern

### Ordering Information

Part Number	Nominal body size	Port size	Bowl	Bowl guard
AL200-8	1/8" 3.1mm	Rc1/4	Polycarbonate	None
AL320-8	3/8" 9.5mm	Rc1/4	Polycarbonate	With quick release
AL320-10	3/8" 9.5mm	Rc3/8	Polycarbonate	With quick release
AL420-15	1/2" 12.7mm	Rc1/2	Polycarbonate	With quick release

### Technical information

Working pressure:	0.5 – 8.5 bar, 50 – 850 kPa, 7 – 120 PSI
Working temperature:	0 – 60°C
Flow rates:	Please refer to diagrams on page 9
Minimum flow for lubrication:	0.6 L/s (ANR) @ 6.9 bar
Bowl capacity:	AL200: 28 mL    AL320: 114 mL    AL420: 214 mL
Visibility:	360° visibility of oil level and feed rate
Filling:	No need to turn the air off for filling with oil
Servicing:	No tools are required for removing bowl
Accessories:	Lubricator-to-regulator bolt kit supplied with each AL200 lubricator
Combination sets:	Combination sets are supplied as kits of components for user to assemble
Materials:	Certain components in these products are made of aluminium. For equivalent products with no aluminium components contact Parker Technical Service.
Suggested lubricant:	Petroleum based oil of 100 to 200 SSU viscosity at 100°F (38°C) and an aniline point greater than 200°F (93°C)

### CAUTION:

Polycarbonate bowls, being transparent and tough, are ideal for use with Filters and Lubricators. They are suitable for use in normal industrial environments, but should not be located in areas where they could be subjected to direct sunlight, an impact blow, nor temperatures outside of the rated range. As with most plastics, some chemicals can cause damage. Polycarbonate bowls should not be exposed to chlorinated hydro-carbons, ketones, esters and certain alcohols. They should not be used in air systems where compressors are lubricated with fire-resistant fluids such as phosphate ester and di-ester types.

Metal bowls are recommended where ambient and/or media conditions are not compatible with polycarbonate bowls. Metal bowls resist the action of most such solvents, but should not be used where strong acids or bases are present or in salt laden atmospheres. Consult the factory for specific recommendations where these conditions exist.

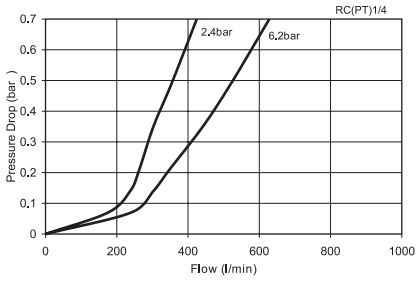
**TO CLEAN POLYCARBONATE BOWLS USE MILD SOAP AND WATER ONLY!**  
DO NOT use cleansing agents such as acetone, benzene, carbon tetrachloride, gasoline, toluene, etc., which are damaging to this plastic.

# Air Line Lubricators

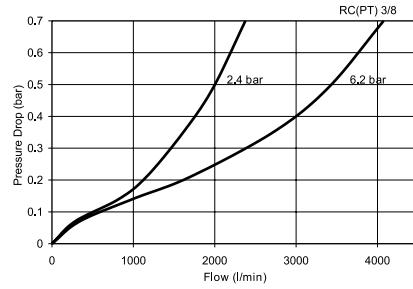
# Parker AF/AR/AL Series Air Preparation Units

## Performance Characteristics

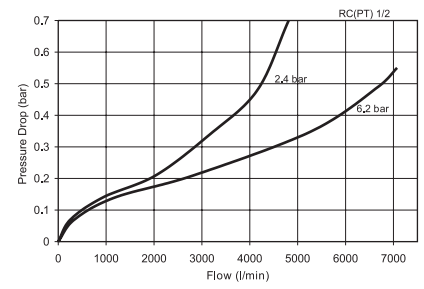
**AL200-8**



**AL320-10**

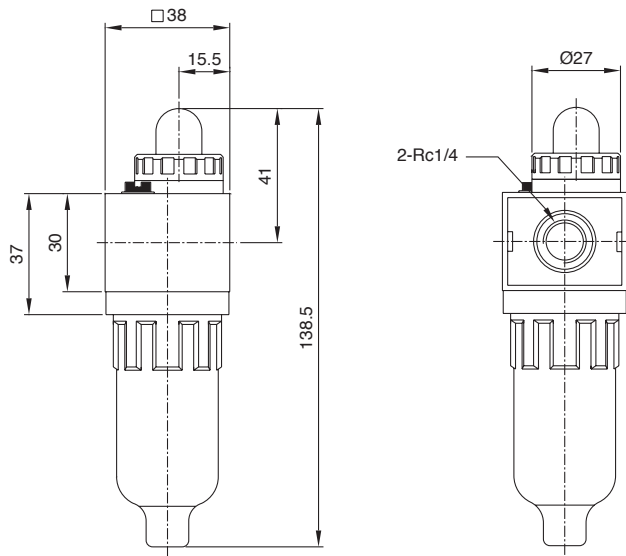


**AL420-15**

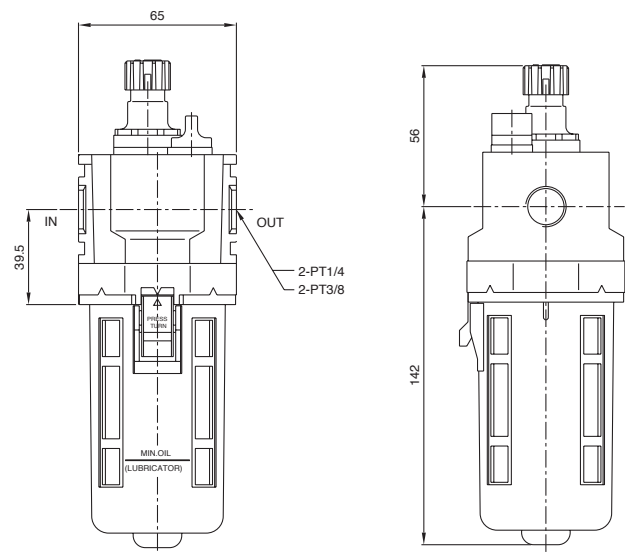


## Dimensions

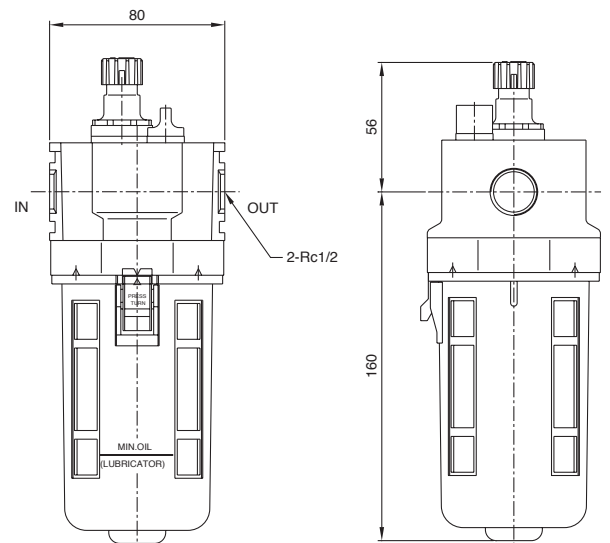
**AL200-8**



**AL320-8  
AL320-10**



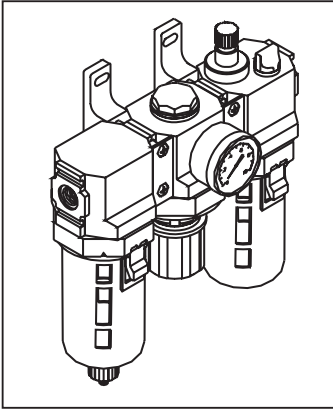
**AL420-15**



For information on mountings and accessories please refer to page 16

# Filter + Regulator + Lubricator Sets AU Series

# Parker AF/AR/AL Series Air Preparation Units



## Features

- Large surface 5 micron elements
- High flow rates
- Highly efficient in removing liquids
- Highly efficient in removing solids
- Accurate pressure regulation
- Oil delivery proportional to air flow
- Modular system with BSPT ports
- Body connectors included
- Secure but easily removable bowls
- FRL units may be assembled for right-to-left or left-to-right flow pattern
- Bowl guards are standard
- 360° visibility of water and oil level
- Mounting brackets included
- Pressure gauge included
- Global product
- Non-rising removable adjustment knobs
- Balanced poppets

## Ordering Information

Part Number	Nominal body size	Port size	Filter and Lubricator				Regulator Type
			Element	Drain	Bowl	Bowl guard	
AU200-8	1/8" 3.1mm	Rc1/4	5 micron	Manual	Polycarbonate	None	Bleed
AU200-8-AD20	1/8" 3.1mm	Rc1/4	5 micron	Auto	Polycarbonate	None	Bleed
AU320-8	3/8" 9.5mm	Rc1/4	5 micron	Manual	Polycarbonate	With quick release	Bleed
AU320-8-AD41	3/8" 9.5mm	Rc1/4	5 micron	Auto	Polycarbonate	With quick release	Bleed
AU320-10	3/8" 9.5mm	Rc3/8	5 micron	Manual	Polycarbonate	With quick release	Bleed
AU320-10-AD41	3/8" 9.5mm	Rc3/8	5 micron	Auto	Polycarbonate	With quick release	Bleed
AU420-15	1/2" 12.7mm	Rc1/2	5 micron	Manual	Polycarbonate	With quick release	Bleed
AU420-15-AD41	1/2" 12.7mm	Rc1/2	5 micron	Auto	Polycarbonate	With quick release	Bleed

## Technical information

Working pressure:	0.5 – 8.5 bar, 50 – 850 kPa, 7 – 120 PSI
Working temperature:	0 – 60°C
Flow rates:	Please refer to diagrams on preceding pages
Filter elements:	Porous plastic
Bowl capacity:	Please refer to specifications for individual components
Filter visibility:	360° visibility of water level
Regulator adjustment:	By non-rising lockable knob
Lubricator visibility:	360° visibility of oil level and feed rate
Accessories:	Supplied with mounting/connector kits and pressure gauge as standard
Servicing:	No tools are required for removing bowl and replacing element
Combination sets:	Combination sets are supplied as kits of components for user to assemble
Materials:	Certain components in these products are made of aluminium. For equivalent products with no aluminium components contact Parker Technical Service.

### CAUTION:

Polycarbonate bowls, being transparent and tough, are ideal for use with Filters and Lubricators. They are suitable for use in normal industrial environments, but should not be located in areas where they could be subjected to direct sunlight, an impact blow, nor temperatures outside of the rated range. As with most plastics, some chemicals can cause damage. Polycarbonate bowls should not be exposed to chlorinated hydro-carbons, ketones, esters and certain alcohols. They should not be used in air systems where compressors are lubricated with fire-resistant fluids such as phosphate ester and di-ester types.

Metal bowls are recommended where ambient and/or media conditions are not compatible with polycarbonate bowls. Metal bowls resist the action of most such solvents, but should not be used where strong acids or bases are present or in salt laden atmospheres. Consult the factory for specific recommendations where these conditions exist.

**REGULATOR PRESSURE ADJUSTMENT** – The working range of knob adjustment is designed to permit outlet pressures within their full range. Pressure adjustment beyond this range is also possible because the knob is not a limiting device. This is a common characteristic of most industrial regulators, and limiting devices may be obtained only by special design.

### TO CLEAN POLYCARBONATE BOWLS USE MILD SOAP AND WATER ONLY!

**DO NOT** use cleansing agents such as acetone, benzene, carbon tetrachloride, gasoline, toluene, etc., which are damaging to this plastic.

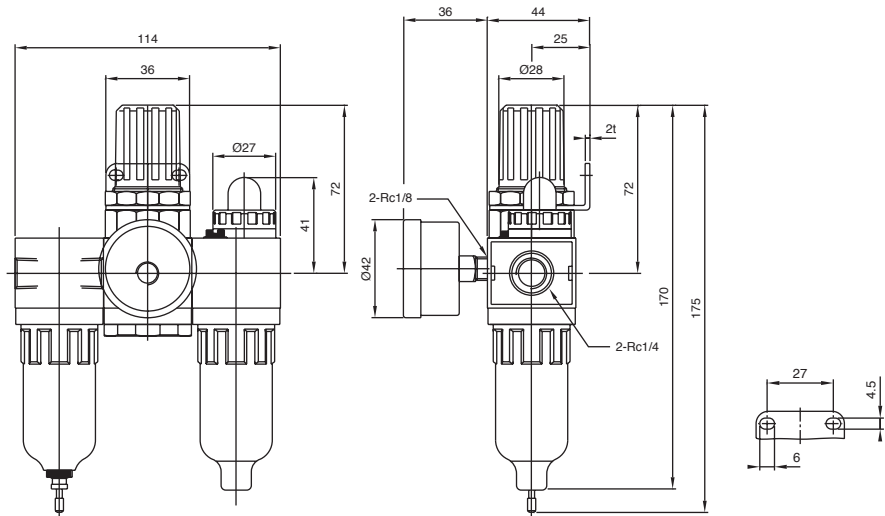
### CAUTION:

# Filter + Regulator + Lubricator Sets

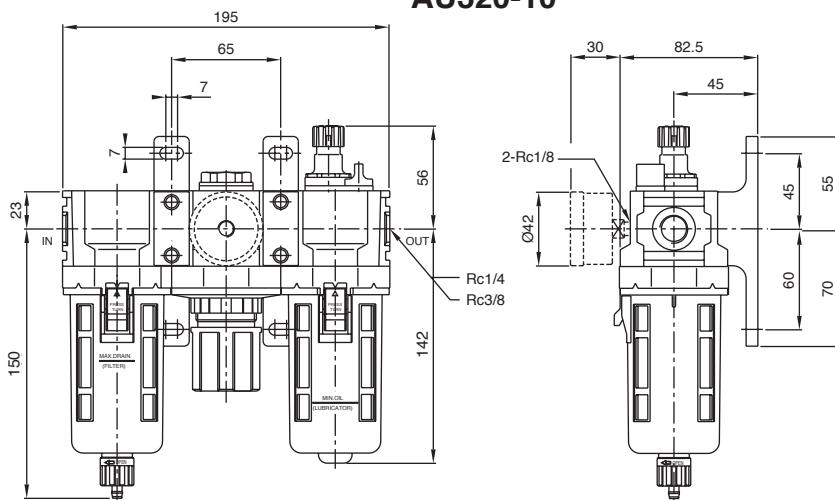
# Parker AF/AR/AL Series Air Preparation Units

## Dimensions

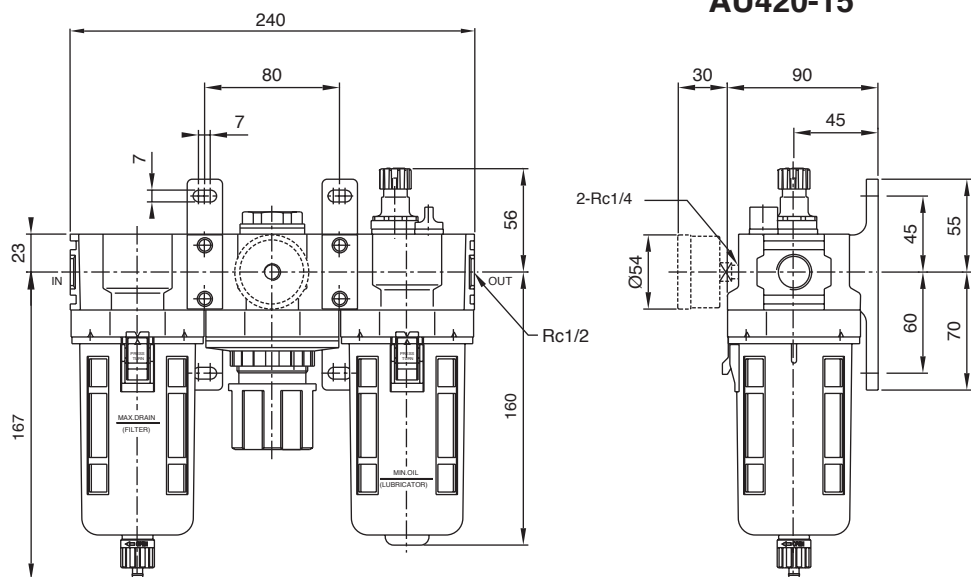
**AU200-8**



**AU320-8  
AU320-10**



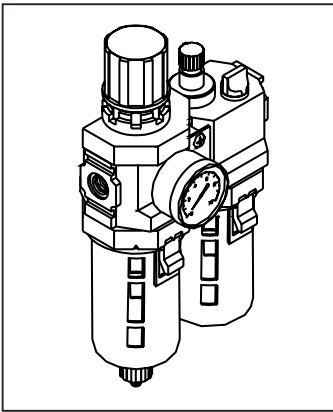
**AU420-15**



Performance diagrams on preceding pages

# Filter/Regulator + Lubricator Sets AU Series

## Parker AF/AR/AL Series Air Preparation Units



### Features

- Large surface 5 micron elements
- High flow rates
- Highly efficient in removing liquids
- Highly efficient in removing solids
- Accurate pressure regulation
- Oil delivery proportional to air flow
- Modular system with BSPT ports
- Body connectors included
- Secure but easily removable bowls
- FRL units may be assembled for right-to-left or left-to-right flow pattern
- Bowl guards are standard
- 360° visibility of water and oil level
- Mounting brackets included
- Pressure gauge included
- Global product
- Non-rising removable adjustment knobs
- Balanced poppets

### Ordering Information

Part Number	Nominal body size	Port size	Filter/Regulator and Lubricator					
			Element	Drain	Bowl	Bowl guard	Type	
AU210-8	1/8" 3.1mm	Rc1/4	5 micron	Manual	Polycarbonate	None	Bleed	
AU210-8-AD20	1/8" 3.1mm	Rc1/4	5 micron	Auto	Polycarbonate	None	Bleed	
AU321-8	3/8" 9.5mm	Rc1/4	5 micron	Manual	Polycarbonate	With quick release	Bleed	
AU321-8-AD41	3/8" 9.5mm	Rc1/4	5 micron	Auto	Polycarbonate	With quick release	Bleed	
AU321-10	3/8" 9.5mm	Rc3/8	5 micron	Manual	Polycarbonate	With quick release	Bleed	
AU321-10-AD41	3/8" 9.5mm	Rc3/8	5 micron	Auto	Polycarbonate	With quick release	Bleed	
AU421-15	1/2" 12.7mm	Rc1/2	5 micron	Manual	Polycarbonate	With quick release	Bleed	
AU421-15-AD41	1/2" 12.7mm	Rc1/2	5 micron	Auto	Polycarbonate	With quick release	Bleed	

### Technical information

Working pressure:	0.5 – 8.5 bar, 50 – 850 kPa, 7 – 120 PSI
Working temperature:	0 – 60°C
Flow rates:	Please refer to diagrams on preceding pages
Filter elements:	Porous plastic
Bowl capacity:	Please refer to specifications for individual components
Filter visibility:	360° visibility of water level
Regulator adjustment:	By non-rising lockable knob
Lubricator visibility:	360° visibility of oil level and feed rate
Accessories:	Supplied with mounting/connector kit and pressure gauge as standard
Servicing:	No tools are required for removing bowl and replacing element
Combination sets:	Combination sets are supplied as kits of components for user to assemble
Materials:	Certain components in these products are made of aluminium. For equivalent products with no aluminium components contact Parker Technical Service.

### CAUTION:

Polycarbonate bowls, being transparent and tough, are ideal for use with Filters and Lubricators. They are suitable for use in normal industrial environments, but should not be located in areas where they could be subjected to direct sunlight, an impact blow, nor temperatures outside of the rated range. As with most plastics, some chemicals can cause damage. Polycarbonate bowls should not be exposed to chlorinated hydro-carbons, ketones, esters and certain alcohols. They should not be used in air systems where compressors are lubricated with fire-resistant fluids such as phosphate ester and di-ester types.

Metal bowls are recommended where ambient and/or media conditions are not compatible with polycarbonate bowls. Metal bowls resist the action of most such solvents, but should not be used where strong acids or bases are present or in salt laden atmospheres. Consult the factory for specific recommendations where these conditions exist.

**REGULATOR PRESSURE ADJUSTMENT** – The working range of knob adjustment is designed to permit outlet pressures within their full range. Pressure adjustment beyond this range is also possible because the knob is not a limiting device. This is a common characteristic of most industrial regulators, and limiting devices may be obtained only by special design.

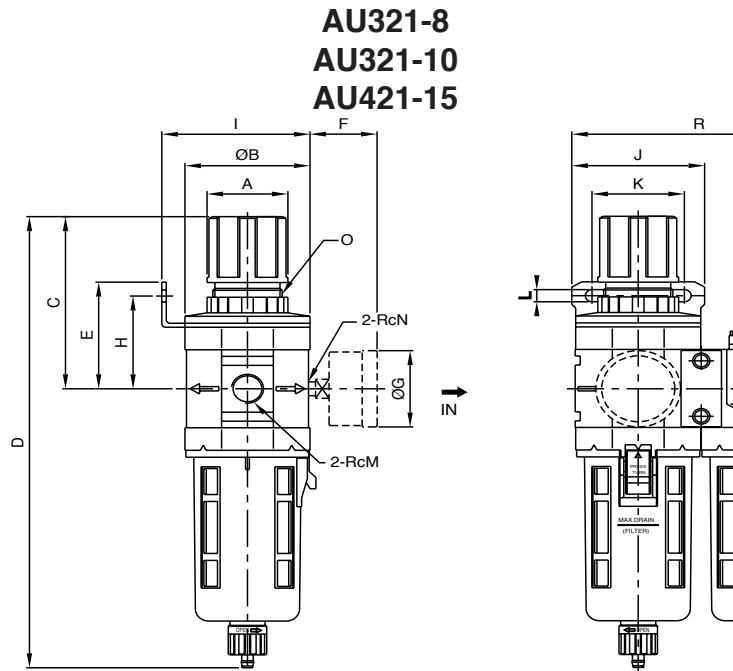
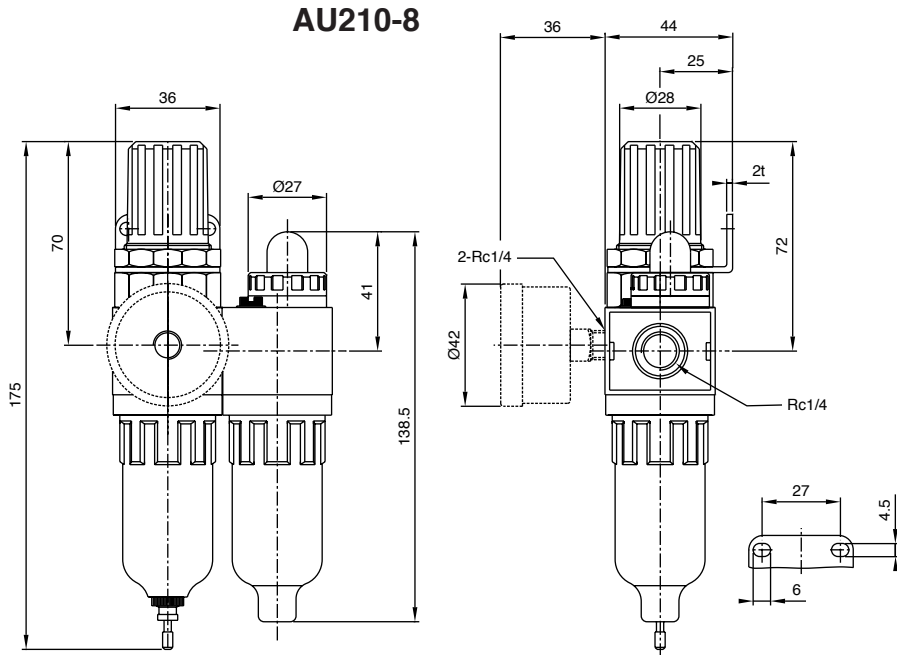
### TO CLEAN POLYCARBONATE BOWLS USE MILD SOAP AND WATER ONLY!

**DO NOT** use cleansing agents such as acetone, benzene, carbon tetrachloride, gasoline, toluene, etc., which are damaging to this plastic.

### CAUTION:

# Parker AF/AR/AL Series Filter /Regulator + Lubricator Sets Air Preparation Units

## Dimensions



MODEL	A	ØB	C	D	E	F	ØG	H	I	J	K	L	M	N	O	P	Q	R	
AU321	42	65	98	248	61.5	30	45	53.5	77	69	48	7	1/4	3/8	1/8	M36X1.5	56	198	132
AU421	50	80	110	279	65	35	54	57	94.5	84	63	7	1/2	1/4	M42X1.5	56	216	163	

Performance diagrams on preceding pages

# Accessories and Spare Parts

## Parker AF/AR/AL Series Air Preparation Units

<b>Filters</b>	<b>AF200</b>	<b>AF320</b>	<b>AF420</b>
Repair kit	N.A.	N.A.	N.A.
Bowl kit *** Bowl guard	AU200KABPM N.A.	AU320KABGM Included above	AU420KABGM Included above
Auto drain kit Manual drain kit	AD20 AU200KADM	AD41 PS512P	AD41 PS512P
Filter element kit, 5 micron	AU200KAESE	AU320KAESE	AU420KAESE
Mounting brackets and connectors		See page 16	

N.A. = Not available

\*\*\* = Buy drain kit separately

<b>Regulators</b>	<b>AR200</b>	<b>AR320</b>	<b>AR420</b>
Piston and valve repair kit* Adjuster repair kit**	AU200KARR AU200KAPN	AU320KARR AU320KAPN	AU420KARR AU420KAPN
Pressure gauge, 0-10 bar	GAD40	GAD40	GAD50
Mounting brackets and connectors		See page 16	

\* = Valve, valve spring, spring housing, piston and seals

\*\* = Handle, stop and screw assembly

\*\*\* = Buy drain kit separately

# Accessories and Spare Parts

## Parker AF/AR/AL Series Air Preparation Units

<b>Filter/Regulators</b>	<b>AFR200</b>	<b>AFR320</b>	<b>AFR420</b>
Piston and valve repair kit*	AU200KARR	AU320KARR	AU420KARR
Adjuster repair kit**	AU200KAPN	AU320KAPN	AU420KAPN
Bowl kit ***	AU200KABPM	AU320KABGM	AU420KABGM
Bowl guard	N.A.	Included above	Included above
Auto drain kit	AD20	AD41	AD41
Manual drain kit	AU200KADM	PS512P	PS512P
Filter element kit, 5 micron	AU200KAESE	AU320KAESE	AU420KAESE
Pressure gauge, 0-10 bar	GAD40	GAD40	GAD50
Mounting brackets and connectors	See page 16		

N.A. = Not available

\* = Valve, valve spring, spring housing, piston and seals

\*\* = Handle, stop and screw assembly

\*\*\* = Buy drain kit separately

<b>Lubricators</b>	<b>AL200</b>	<b>AL320</b>	<b>AL420</b>
Repair kit	N.A.	N.A.	N.A.
Bowl kit	AU200KABPN	AU320KABGN	AU420KABGN
Bowl guard	N.A.	Included above	Included above
Fill plug kit	AU200KAPL	AU320KAPL	AU320KAPL
Sight dome kit	AU200KASD		
Drip control kit		AU320KASD	AU320KASD
Mounting brackets and connectors	See page 16		

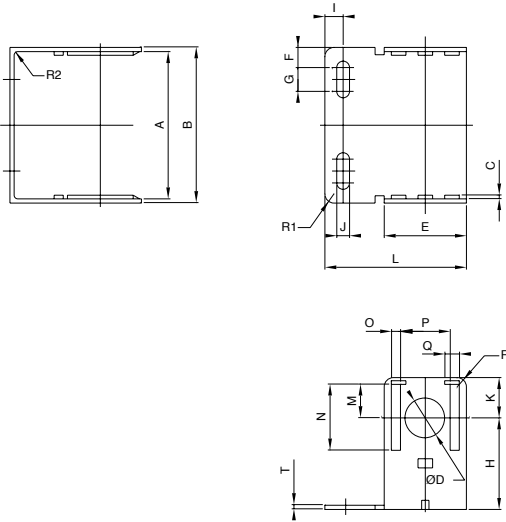
N.A. = Not available



# Mountings and Connectors

## Parker AF/AR/AL Series Air Preparation Units

### Bracket BKC320, BKC420



Part Number	For use with
-------------	--------------

BKC320	AF320 AL320
--------	-------------

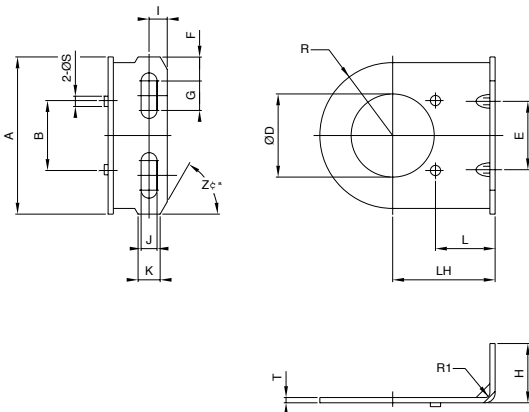
BKC420	AF420 AL420
--------	-------------

	A	B	ØD	E	F	G	H	I	J	K
BKC320	65	70	18	4.5	10.5	13	26	10	7	22
BKC420	80	85	22	4.5	10.5	13	26	10	7	22

	L	M	N	O	P	Q	R	R1	R2	T
BKC320	77.5	18.3	36	5	27.2	8	4	5	2	2.3
BKC420	77.5	18.3	36	5	27.2	8	5	5	2	2.3

### Bracket BKL320, BKL420



Part Number	For use with
-------------	--------------

BKL320	AR320 AFR320
--------	--------------

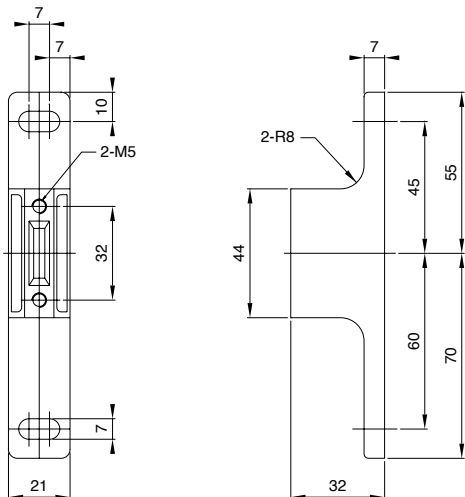
BKL420	AR420 AFR420
--------	--------------

	A	B	ØD	E	F	G	H	I	J	K
BKL320	69	30.7	36.5	30	10.5	13	26	8	7	10
BKL420	84	36.8	42.5	40	10.5	13	26	8	7	10

	L	LH	R	R1	ØS	T	Z*
BKL320	26.2	45	32	2	4.5	2.3	60
BKL420	33.3	55	39.5	2	4	2.3	60

### Connector/Mounting Bracket BKU320, BKU420



Part Number	For use with	Comprising
-------------	--------------	------------

BKU320	AU320	Two connector/mounting brackets, four bolts and two O-rings
BKU420	AU420	Two connector/mounting brackets, four bolts and two O-rings

BKU321	AU321	One connector, two bolts and one O-ring
BKU421	AU421	One connector, two bolts and one O-ring

Refer pages 11 and 13 for dimensions