


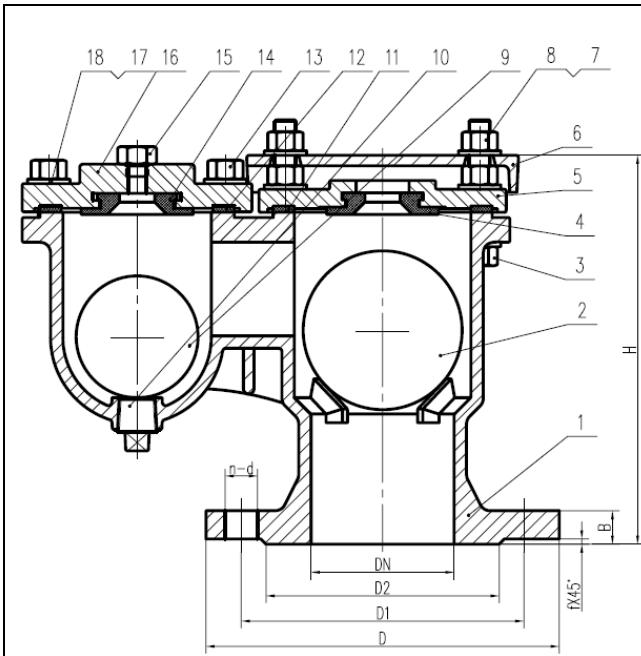
DATA SHEET

AIR VALVE – SINGLE & DOUBLE ORIFICE

Description	<p>Duvalco air valves for water applications are available in single or double configurations - either single large orifice, single small orifice or combined small and large orifice options. Single orifice air valves can be provided with an isolating cock or valve below the air valve body, and double orifice valves are fitted with an integral isolating valve. In all cases the float material is non-corrodible plastic and the general construction is of ductile iron. Pressure rating is PN16 and products are suitable for 50°C working temperature.</p>																			
Size Range	<table border="1" style="width: 100%;"> <tr> <td style="width: 50%;">Small orifice</td> <td>1" BSPT</td> </tr> <tr> <td>Large orifice</td> <td>DN40 to DN250</td> </tr> </table>	Small orifice	1" BSPT	Large orifice	DN40 to DN250															
Small orifice	1" BSPT																			
Large orifice	DN40 to DN250																			
Pressure Rating	All valves are rated at PN16 for 16 bar continuous working pressure. (Other pressures also available upon request)																			
Design Standard	-																			
Materials of Construction	<table border="1" style="width: 100%; border-collapse: collapse;"> <thead> <tr style="background-color: yellow;"> <th style="width: 30%;">Description</th> <th style="width: 30%;">Material</th> <th style="width: 40%;">Grade</th> </tr> </thead> <tbody> <tr> <td>Body</td> <td>Ductile iron</td> <td>BS EN 1563 Grade EN-GJS-400-15</td> </tr> <tr> <td>Cover plate</td> <td>Ductile iron</td> <td>BS EN 1563 Grade EN-GJS-400-15</td> </tr> <tr> <td>Floats</td> <td>Plastic</td> <td></td> </tr> <tr> <td>Body gaskets</td> <td>EPDM</td> <td>BS EN 681-1 Type WA</td> </tr> <tr> <td>Fasteners</td> <td>Stainless steel</td> <td>316L</td> </tr> </tbody> </table> <p><i>* Other types of materials are also available upon request</i></p>		Description	Material	Grade	Body	Ductile iron	BS EN 1563 Grade EN-GJS-400-15	Cover plate	Ductile iron	BS EN 1563 Grade EN-GJS-400-15	Floats	Plastic		Body gaskets	EPDM	BS EN 681-1 Type WA	Fasteners	Stainless steel	316L
Description	Material	Grade																		
Body	Ductile iron	BS EN 1563 Grade EN-GJS-400-15																		
Cover plate	Ductile iron	BS EN 1563 Grade EN-GJS-400-15																		
Floats	Plastic																			
Body gaskets	EPDM	BS EN 681-1 Type WA																		
Fasteners	Stainless steel	316L																		
Connection to Main	<table border="1" style="width: 100%;"> <tr> <td style="width: 50%;">Single small orifice</td> <td>1" BSPT with isolating cock</td> </tr> <tr> <td>Single large orifice</td> <td>PN16 flange, cast integral with valve body</td> </tr> </table>		Single small orifice	1" BSPT with isolating cock	Single large orifice	PN16 flange, cast integral with valve body														
Single small orifice	1" BSPT with isolating cock																			
Single large orifice	PN16 flange, cast integral with valve body																			
Testing	<p>PN16 pressure rating valves are tested to the following pressures:-</p> <table border="1" style="width: 100%; border-collapse: collapse;"> <thead> <tr style="background-color: yellow;"> <th style="width: 30%;">Description</th> <th style="width: 30%;">Nominal Pressure</th> <th style="width: 40%;">Maximum Allowable Pressure</th> </tr> </thead> <tbody> <tr> <td>Body</td> <td>16 bar</td> <td>24 bar</td> </tr> <tr> <td>Seat</td> <td>16 bar</td> <td>17.6 bar</td> </tr> </tbody> </table>		Description	Nominal Pressure	Maximum Allowable Pressure	Body	16 bar	24 bar	Seat	16 bar	17.6 bar									
Description	Nominal Pressure	Maximum Allowable Pressure																		
Body	16 bar	24 bar																		
Seat	16 bar	17.6 bar																		
Corrosion Protection	<ol style="list-style-type: none"> 1) All body components are painted with high quality 2-pack epoxy paint system having a minimum of 300µm DFT. 2) Coating colour – RAL 5005 3) For potable water applications, paints used have a WRAS or similar water quality approval. 																			
Dimensional Details																				

DATA SHEET

AIR VALVE – SINGLE & DOUBLE ORIFICE



SIZE		D	D1	D2	B	f	n-d	H
MM	INCH							
40	1 1/2	150	110	84	19	3	4- ϕ 19	189
50	2	165	125	99	19	3	4- ϕ 19	216
65	2 1/2	185	145	118	19	3	4- ϕ 19	216
80	3	200	160	132	19	3	8- ϕ 19	246
100	4	220	180	156	19	3	8- ϕ 19	270
125	5	250	210	184	19	3	8- ϕ 19	326
150	6	285	240	211	19	3	8- ϕ 23	326
200	8	340	295	266	20	3	12- ϕ 23	401
250	10	405	355	319	22	3	12- ϕ 28	450

Flange Drilling

Flanges are dimensioned according to EN 1092-2 for ISO metric flange sizes.

*Note

Please refer to General Arrangement drawing for full details of valve

Marking

All valves are marked with the following:-

- Size
- PN rating
- 'Duvalco'
- Material - SG GGG50
- Year of manufacture

Packing

All valves will be despatched properly packed, with all items separated to avoid damage to coating, castings, facings, flange faces, etc.