

# Excellent & Advanced

## VP-600 Series

### Union Ball Valves 由令球閥

- VP-620  
Single Union Ball Valve  
單邊由令球閥
- VP-640  
Double Union Ball Valve  
雙邊由令球閥
- VP-640  
Double Flange Ball Valve  
雙邊法蘭球閥
- VP-680, 690  
Pneumatic / Electric Actuator  
Double Union Ball Valve  
氣動式/電動式雙由令球閥





# VP-620 單邊由令球閥

## Single Union Ball Valve

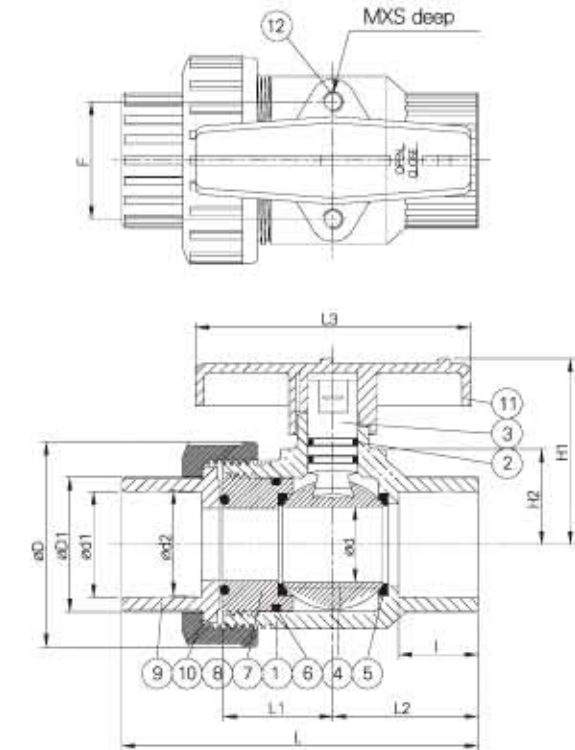
- Pressure rating: 150 PSI @73.4°F (23°C)
- Less flow loss and seal hermetically.
- Fit compactly in spaces
- Actuator could be installed with inserted nut type
- The standard product is without inserted nut
- 工作壓力：150 PSI @73.4°F (23°C)
- 流量損失小，密封性佳
- 體積小，佔用空間小
- 可埋入銅柱加裝自動控制器
- 標準品不埋入銅柱

Type 品號	Size 尺寸	Standard 規格	Material 材質	Seat 墊座	O-ring O環	End type 接口
VP-620	1/2"~2"	ANSI, JIS, DIN	PVC	PTFE	EPDM, FPM	Socket, Threaded
VP-621	1/2"~2"	ANSI, JIS, DIN	CPVC	PTFE	EPDM, FPM	Socket, Threaded



SIZE Nom.	15mm (1/2")	20mm (3/4")	25mm (1")	32mm (1-1/4")	40mm (1-1/2")	50mm (2")	
JIS	d1	22.30	26.30	32.33	38.43	48.46	60.56
	d2	21.70	25.70	31.67	37.57	47.54	59.44
	l	22.22	25.4	28.6	31.8	34.9	38.1
ANSI	d1	21.54	26.87	33.65	42.42	48.56	60.63
	d2	21.23	26.57	33.27	42.04	48.11	60.17
	l	22.22	25.40	28.58	31.75	34.93	38.10
DIN	d1	20.3	25.3	32.3	40.3	50.3	63.3
	d2	19.9	24.9	31.9	39.9	49.9	62.9
	l	16	19	22	26	31	38
thd./in	PT	14	14	11	11	11	11
	NPT	14	14	11.5	11.5	11.5	11.5
D	46.5	55	66	82	98	120	
D1	31	37	45	54	65	79	
d	13	18	23	30	38	48	
L	98	115	125	142	153	187	
L1	30	37	39	44	46	56	
L2	41	47	51	57	65	83	
L3	78	92	100	110	121	147	
H1	47	57	66	74	87	106	
H2	21	26	33	38	40	51	
F	30	33	40	47	52	70	
M	M5	M6	M6	M8	M8	M8	
S	8	8	11	11	11	15	

NO.	PART	MATERIAL	QTY
1	BODY 本體	UPVC, CPVC	1
2	STEM O-RING 中心O環	EPDM, FPM	2
3	STEM 中心柱	UPVC, CPVC	1
4	BALL 球體	UPVC, CPVC	1
5	SEAT 墊座	PTFE	2
6	CARRIER O-RING 內特管O環	EPDM, FPM	1
7	SEAL CARRIER 內特管	UPVC, CPVC	1
8	UNION O-RING 由令O環	EPDM, FPM	1
9	END CONNECTOR 外特管	UPVC, CPVC	1
10	UNION NUT 螺帽	UPVC, CPVC	1
11	HANDLE 把手	ABS, PP+GF, PP	1
12	INSERTED NUT 本體螺絲	C3602	2





# VP-640 雙邊由令球閥

## Double Union Ball Valve

- Pressure rating:  
150 PSI @73.4°F(23°C)
- Standard port design
- Adjustable seat tightness
- Easy to disassemble by handle
- Less on-line down time for replacement / maintenance
- Actuator could be installed with inserted nut type
- Standard Product is without inserted nut
- 工作壓力：150 PSI @73.4°F(23°C)
- 標準流量設計
- 雙由令設計可同時當由令及閥門使用
- 墊座鬆緊可做適度調整
- 不須使用特殊工具即可快速裝配
- 可埋入鋼柱加裝自動控制器
- 標準品未埋入鋼柱

Type 品號	Size 尺寸	Standard 規格	Material 材質	Seat 墊座	O-ring O環	End type 接口
VP-640	1/2"~4"	ANSI, JIS, DIN, BS	PVC	PTFE	EPDM, FPM	Socket, Threaded, Flanged
VP-641	1/2"~4"	ANSI, JIS, DIN, BS	CPVC	PTFE	EPDM, FPM	Socket, Threaded, Flanged
VP-643	1/2"~4"	ANSI, JIS, DIN, BS	PVDF	PTFE	EPDM, FPM	Socket, Threaded, Flanged
VP-644	1/2"~4"	ANSI, JIS, DIN, BS	PP	PTFE	EPDM, FPM	Socket, Threaded, Flanged
VP-645	1/2"~4"	ANSI, JIS, DIN, BS	ABS	PTFE	EPDM, FPM	Socket, Threaded, Flanged

● There is no flanged end for BS



### SOCKET

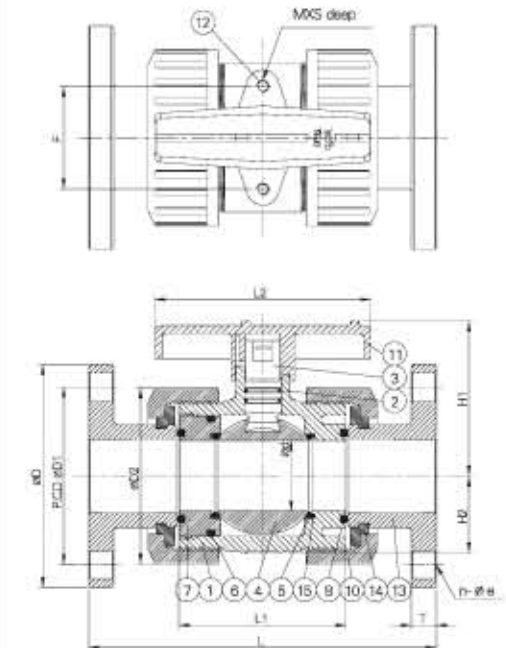
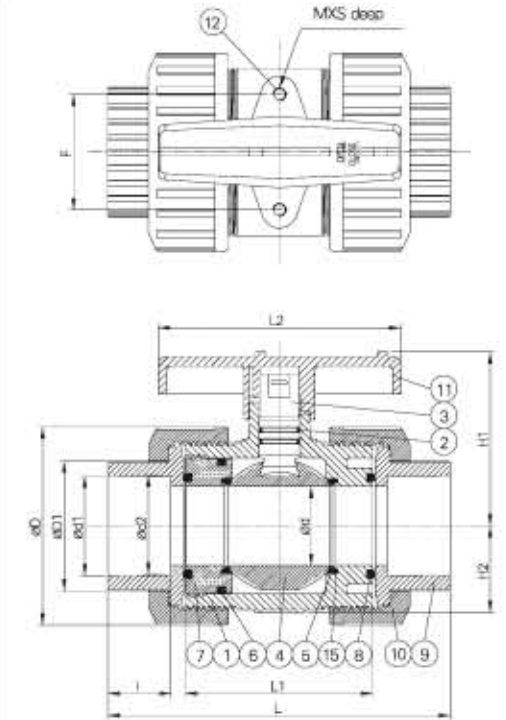
Nom.	SIZE	15mm (1/2")	20mm (3/4")	25mm (1")	32mm (1-1/4")	40mm (1-1/2")	50mm (2")	65mm (2-1/2")	80mm (3")	100mm (4")
JIS	d1	22.3	26.3	32.33	38.43	48.46	60.56	76.60	89.6	114.7
	d2	21.7	25.7	31.67	37.57	47.54	59.44	75.67	88.83	113.77
	I	22.22	25.4	28.6	31.8	34.9	39.1	61	63	69
ANSI	d1	21.54	26.67	33.65	42.42	48.56	60.63	73.38	89.31	114.28
	d2	21.23	26.57	33.27	42.04	48.11	60.17	72.85	88.78	114.07
	I	22.22	25.4	28.58	31.75	34.93	38.10	44.45	47.63	57.15
DIN	d1	20.3	25.3	32.3	40.3	50.3	63.3	75.35	90.5	110.6
	d2	19.9	24.9	31.9	39.9	49.9	62.9	74.9	89.9	109.9
	I	16	19	22	26	31	38	44	51	61
BS	d1	21.7	27.15	33.95	42.85	48.65	60.75	76.75	89.35	114.95
	d2	21	26.35	33.15	41.85	47.85	59.95	74.95	88.45	113.65
	I	22.22	25.4	28.58	31.75	34.93	38.1	44.45	47.63	57.15
thd./in	PT	14	14	11	11	11	11	11	11	11
	NPT	14	14	11.5	11.5	11.5	11.5	8	8	8
D		46.5	55	68	82	98	120	140	163	225
D1		31	37	45	54	65	79	92	108	146
d		13	18	23	30	38	48	61	69	99
L		114	135	149	168	175	208	275	304	332
L1		60	73	79	88	95	114	138	158	176
L2		78	92	100	110	121	147	180	224	278
H1		47	57	66	74	87	106	116	130	178
H2		21	26	33	39	41	53	-	-	-
F		30	33	40	47	52	70	-	-	-
M		M5	M6	M6	M8	M8	M6	-	-	-
S		8	8	11	11	11	15	-	-	-

NO	PART NAME	MATERIAL	Q'TY
1	BODY 本體	UPVC,CPVC,PP,PVDF,ABS	1
2	STEM O-RING 中心O環	EPDM/FPM	2
3	STEM 中心柱	UPVC,CPVC,PP,PVDF,ABS	1
4	BALL 球體	UPVC,CPVC,PP,PVDF,ABS	1
5	SEAT 墊座	PTFE	2
6	CARRIER O-RING 內特管O環	EPDM/FPM	1
7	SEAL CARRIER 內特管	UPVC,CPVC,PP,PVDF,ABS	1
8	UNION O-RING 由令O環	EPDM/FPM	2
9	END CONNECTOR 外特管	UPVC,CPVC,PP,PVDF,ABS	2
10	UNION NUT 螺帽	UPVC,CPVC,PP,PVDF,ABS	2
11	HANDLE 把手	ABS,PP+GF,PP	1
12	INSERTED NUT 本體螺帽	C3602	2,4
15	SEAT O-RING 墊座O環	EPDM/FPM	2

### FLANGE

Nom.	SIZE	15mm (1/2")	20mm (3/4")	25mm (1")	32mm (1-1/4")	40mm (1-1/2")	50mm (2")	65mm (2-1/2")	80mm (3")	100mm (4")	
JIS	D	95	100	125	135	140	155	175	185	210	
	D1	70	75	90	100	105	120	140	150	175	
	L	143	172	187	190	212	234	259	304	372	
	n-øø	4-ø15	4-ø15	4-ø19	4-ø19	4-ø19	4-ø19	4-ø19	8-ø19	8-ø19	8-ø19
	T	13	15	15	15	15	16.5	18	19	19	19
ANSI	D	89	98	108	117	127	152	176	191	229	
	D1	61	70	79	89	99	121	140	152	191	
	L	143	172	187	190	212	234	259	304	372	
	n-øø	4-ø16	4-ø16	4-ø18	4-ø18	4-ø18	4-ø19	4-ø19	4-ø19	8-ø19	8-ø19
	T	13	15	15	16	17	17	18	19	20	20
DIN	D	95	105	115	140	150	165	185	200	220	
	D1	65	75	85	100	110	125	145	160	180	
	L	130	150	160	180	200	230	290	310	350	
	n-øø	4-ø14	4-ø14	4-ø14	4-ø18	4-ø18	4-ø18	4-ø18	8-ø18	8-ø18	8-ø18
	T	18.5	20	20	20	20	22	22.5	22.5	24	24
D2		46.5	55	66	82	98	120	140	163	225	
d		13	18	23	30	38	48	61	69	99	
L1		60	73	79	88	95	114	138	158	176	
L2		78	92	100	110	121	147	180	224	278	
H1		47	57	66	74	87	106	116	130	178	
H2		21	26	33	39	41	53	-	-	-	
F		30	33	40	47	52	70	-	-	-	
M		M5	M6	M6	M8	M8	M6	-	-	-	
S		8	8	11	11	11	15	-	-	-	

NO	PART NAME	MATERIAL	Q'TY
1	BODY 本體	UPVC,CPVC,PP,PVDF,ABS	1
2	STEM O-RING 中心O環	EPDM/FPM	2
3	STEM 中心柱	UPVC,CPVC,PP,PVDF,ABS	1
4	BALL 球體	UPVC,CPVC,PP,PVDF,ABS	1
5	SEAT 墊座	PTFE	2
6	CARRIER O-RING 內特管O環	EPDM/FPM	1
7	SEAL CARRIER 內特管	UPVC,CPVC,PP,PVDF,ABS	1
8	UNION O-RING 由令O環	EPDM/FPM	2
10	UNION NUT 螺帽	UPVC,CPVC,PP,PVDF,ABS	2
11	HANDLE 把手	ABS,PP+GF,PP	1
12	INSERTED NUT 本體螺帽	C3602	2,4
13	FLANGE 法蘭片	UPVC,CPVC,PP,PVDF,ABS	2
14	SET RING 卡環	UPVC,CPVC,PP,PVDF,ABS	2
15	SEAT O-RING 墊座O環	EPDM/FPM	2





# VP-640 雙邊由令球閥 (N1把手)

## Double Union Ball Valve (N1 HANDLE)

- Pressure rating:  
150 PSI @73.4°F(23°C)
- Standard port design
- Adjustable seat tightness
- Easy to disassemble by handle
- Less on-line down time for replacement / maintenance
- Actuator could be installed with inserted nut type
- Standard Product is without inserted nut
- 工作壓力：150 PSI @73.4°F(23°C)
- 標準流量設計
- 雙由令設計可同時當由令及閥門使用
- 墊座鬆緊可做適度調整
- 不須使用特殊工具即可快速裝配
- 可埋入鋼柱加裝自動控制器
- 標準品未埋入鋼柱

Type 品號	Size 尺寸	Standard 規格	Material 材質	Seat 墊座	O-ring O環	End type 接口
VP-640	1/2"~4"	ANSI, JIS, DIN	PVC	PTFE	EPDM, FPM	Socket, Threaded, Flanged
VP-641	1/2"~4"	ANSI, JIS, DIN	CPVC	PTFE	EPDM, FPM	Socket, Threaded, Flanged
VP-644	1/2"~4"	ANSI, JIS, DIN	PP	PTFE	EPDM, FPM	Socket, Threaded, Flanged



### SOCKET

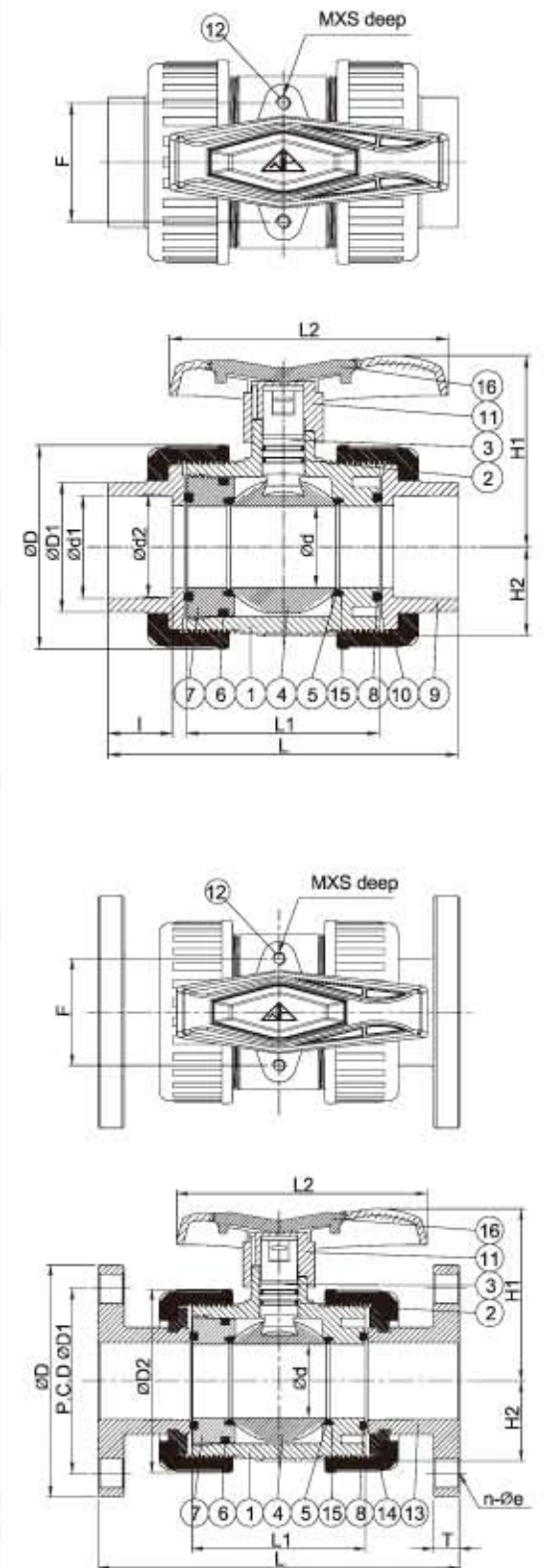
Nom.	SIZE	15mm (1/2")	20mm (3/4")	25mm (1")	32mm (1-1/4")	40mm (1-1/2")	50mm (2")	65mm (2-1/2")	80mm (3")	100mm (4")
JIS	d1	22.3	26.3	32.33	38.43	46.46	60.56	76.6	89.6	114.7
	d2	21.7	25.7	31.67	37.57	47.54	59.44	75.87	88.63	113.77
ANSI	d1	22.22	25.4	28.58	31.75	34.93	38.1	44.45	47.63	57.15
	d2	21.54	26.87	33.65	42.42	48.56	60.63	73.38	88.27	112.24
DIN	d1	22.22	25.4	28.58	31.75	34.93	38.1	44.45	47.63	57.15
	d2	20.3	25.3	32.3	40.3	50.3	63.3	75.35	90.5	110.6
Inch./in	NPT	14	14	11.5	11.5	11.5	11.5	8	8	8
	BSPT	14	14	11	11	11	11	11	11	11
D		46.3	55.5	66.5	82	98.5	120	140	163	225
D1		31.3	37.3	44.8	53.8	64	78	91.5	107.5	145.5
d		13	18	23	30	38	48	61	69	89
L		114	135	149	170	176	207	275	304	332
L1		60	73	79	88	95	114	138	158	178
L2		77	95	110	127	143	164	180	225	250.5
H1		46	57	70	75	94	113	127.5	145	182
H2		21	26	33	39	41	53	-	-	-
F		30	33	40	47	52	70	-	-	-
M		M5	M6	M6	M6	M6	M6	-	-	-
S		8	8	11	11	11	15	-	-	-

NO	PART NAME	MATERIAL	QTY
1	BODY 本體	UPVC,CPVC,PP	1
2	STEM O-RING 中心O環	EPDM,FPM	2
3	STEM 中心柱	UPVC,CPVC,PP	1
4	BALL 球體	UPVC,CPVC,PP	1
5	SEAT 墊座	PTFE	2
6	CARRIER O-RING 內特魯O環	EPDM,FPM	1
7	SEAL CARRIER 內特魯	UPVC,CPVC,PP	1
8	UNION O-RING 由令O環	EPDM,FPM	2
9	END CONNECTOR 外特魯	UPVC,CPVC,PP	2
10	UNION NUT 螺帽	UPVC,CPVC,PP	2
11	HANDLE 把手	ABS	1
12	INSERTED NUT 本體螺帽	C3602	2,4
15	SEAT O-RING 墊座O環	EPDM,FPM	2
16	HANDLE COVER 把手蓋	ABS	1

### FLANGE

Nom.	SIZE	15mm (1/2")	20mm (3/4")	25mm (1")	32mm (1-1/4")	40mm (1-1/2")	50mm (2")	65mm (2-1/2")	80mm (3")	100mm (4")
JIS	D	95	100	125	135	140	165	175	185	210
	D1	70	75	90	100	105	120	140	150	175
ANSI	D	89	98	108	117	127	152	178	191	229
	D1	61	70	79	89	99	121	140	152	191
DIN	D	95	105	115	140	150	165	185	200	220
	D1	65	75	85	100	110	125	145	160	180
D2	D	46.3	55.5	66.5	82	98.5	120	140	163	225
	d	13	18	23	30	38	48	61	69	89
L1	L	60	73	79	88	95	114	138	158	178
	L2	77	95	110	127	143	164	180	225	250.5
H1	H	46	57	70	75	94	113	127.5	145	182
	H2	21	26	33	39	41	53	-	-	-
F	F	30	33	40	47	52	70	-	-	-
	M	M5	M6	M6	M6	M6	M6	-	-	-
S	S	8	8	11	11	11	15	-	-	-

NO	PART NAME	MATERIAL	QTY
1	BODY 本體	UPVC,CPVC,PP	1
2	STEM O-RING 中心O環	EPDM,FPM	2
3	STEM 中心柱	UPVC,CPVC,PP	1
4	BALL 球體	UPVC,CPVC,PP	1
5	SEAT 墊座	PTFE	2
6	CARRIER O-RING 內特魯O環	EPDM,FPM	1
7	SEAL CARRIER 內特魯	UPVC,CPVC,PP	1
8	UNION O-RING 由令O環	EPDM,FPM	2
10	UNION NUT 螺帽	UPVC,CPVC,PP	2
11	HANDLE 把手	ABS	1
12	INSERTED NUT 本體螺帽	C3602	2,4
13	FLANGE 法蘭片	UPVC,CPVC,PP	2
14	SET RING 卡環	UPVC,CPVC,PP	2
15	SEAT O-RING 墊座O環	EPDM,FPM	2
16	HANDLE COVER 把手蓋	ABS	1





# VP-640 雙邊法蘭球閥

## Double Flange Ball Valve

- Pressure rating:

150 PSI @73.4°F(23°C)

- Standard port design

- Less on-line down time for replacement / maintenance

- Torque is not adjustable

- 工作壓力：150 PSI @73.4°F(23°C)

- 標準流量設計

- 不須使用特殊工具即可快速裝配

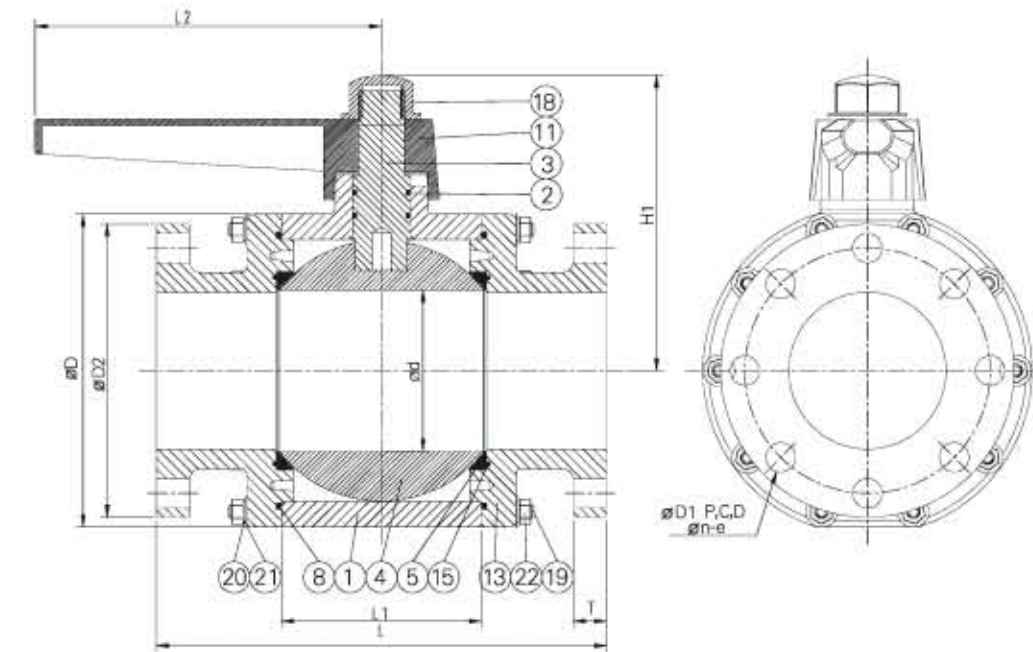
- 扭力不可調整

Type 品號	Size 尺寸	Standard 規格	Material 材質	Seat 墊座	O-ring O環	End type 接口
VP-640	5"~6"	ANSI, JIS, DIN	PVC	PTFE	EPDM, FPM	Flanged
VP-641	5"~6"	ANSI, JIS, DIN	CPVC	PTFE	EPDM, FPM	Flanged



Nom.	SIZE	125mm (5")	150mm (6")
		D1	210
JIS	n-ee	8-ø23	8-ø23
	D1	216	241
ANSI	n-ee	8-ø23	8-ø23
	D1	210	240
DIN	n-ee	8-ø18	8-ø22
	D	271	271
	D2	254	280
	d	140	140
	L	387	391
	L1	173	173
	L2	300	300
	T	27	29
	H1	255	255

NO	PART NAME	MATERIAL	QTY
1	BODY 本體	UPVC, CPVC	1
2	STEM O-RING 中心O環	EPDM, FPM	2
3	STEM 中心柱	UPVC, CPVC	1
4	BALL 球體	UPVC, CPVC	1
5	SEAT 墊座	PTFE	2
8	FLANGE O-RING 法蘭片O環	EPDM, FPM	2
11	HANDLE 把手	ABS	1
13	FLANGE 法蘭片	UPVC, CPVC	2
15	SEAT O-RING 墊座O環	EPDM, FPM	2
18	NUT 塑膠螺帽	UPVC, CPVC	1
19	DOUBLE ARMING BOLT 雙頭螺栓	SUS304	10
20	SPRING WASHER 彈簧華司	SUS304	20
21	WASHER 平華司	SUS304	20
22	NUT 螺帽	SUS304	20





# VP-680 .690 Pneumatic / Electric Actuator Double Union Ball Valve

## 氣動式/電動式雙由令球閥

- Pressure rating: 150 PSI @73.4°F(23°C)
- Pneumatic actuator specification meets with ISO 5211, DIN 3337, VDI / VDE 3845, NAMUR, easy to assemble solenoid valve, limit switches and other accessories.
- For double acting and spring return actuators, the maximum supply pressure is 8 Bar(116PSI), minimum supply pressure is 2.5 Bar(36PSI) (Refer to actuator manufacturer's data if necessary)
- Electric actuator operation voltage 1-phase 110 / 220 V 3-phase 220 / 380 / 460 V
- Electric actuator could manually operate w/o clutch and break
- 工作壓力：150 PSI @73.4°F(23°C)
- 氣動驅動器建議最大進氣壓力 8 Bar(116PSI), 最小 2.5 Bar(36PSI)
- 氣動驅動器規格符合：ISO 5211, DIN 3337, VDI / VDE 3845, NAMUR可加裝電磁閥、微動開關及其他附屬配件。
- 操作電壓：AC單相 110 / 220V, 三相 220 / 380 / 460V
- 電動換手動操作時，不須離合器及煞車即可操作 (詳細資料可參考氣壓缸製造商資料)

Type 品號	Size 尺寸	Standard 規格	Material 材質	Seat 墊座	O-ring O環	End type 接口
VP-680	1/2"~6"	ANSI, JIS, DIN, BS	PVC	PTFE	EPDM, FPM	Socket, Threaded, Flanged
VP-681	1/2"~6"	ANSI, JIS, DIN, BS	CPVC	PTFE	EPDM, FPM	Socket, Threaded, Flanged
VP-683	1/2"~4"	ANSI, JIS, DIN, BS	PVDF	PTFE	EPDM, FPM	Socket, Threaded, Flanged
VP-684	1/2"~4"	ANSI, JIS, DIN, BS	PP	PTFE	EPDM, FPM	Socket, Threaded, Flanged
VP-685	1/2"~4"	ANSI, JIS, DIN, BS	ABS	PTFE	EPDM, FPM	Socket, Threaded, Flanged

● 5" & 6" are double flange ball valve 5"~6" 為雙邊法蘭

Type 品號	Size 尺寸	Standard 規格	Material 材質	Seat 墊座	O-ring O環	End type 接口
VP-690	1/2"~4"	ANSI, JIS, DIN, BS	PVC	PTFE	EPDM, FPM	Socket, Threaded, Flanged
VP-691	1/2"~4"	ANSI, JIS, DIN, BS	CPVC	PTFE	EPDM, FPM	Socket, Threaded, Flanged
VP-693	1/2"~4"	ANSI, JIS, DIN, BS	PVDF	PTFE	EPDM, FPM	Socket, Threaded, Flanged
VP-694	1/2"~4"	ANSI, JIS, DIN, BS	PP	PTFE	EPDM, FPM	Socket, Threaded, Flanged
VP-695	1/2"~4"	ANSI, JIS, DIN, BS	ABS	PTFE	EPDM, FPM	Socket, Threaded, Flanged

● There is no flanged end for BS

SIZE	PNEUMATIC ACTUATOR	
	DOUBLE ACTING	SPRING RETURN
1/2"	AT045UDA	AT045USR
3/4"	AT045UDA	AT045USR
1"	AT045UDA	AT051USR
1-1/4"	AT045UDA	AT051USR
1-1/2"	AT045UDA	AT051USR
2"	AT101UDA	AT201USR
2-1/2"	AT201UDA	AT251USR
3"	AT201UDA	AT351USR
4"	AT301UDA	AT401USR
5"~6"	AT401UDA	AT501USR

SIZE	ELECTRIC ACTUATOR	
	WITH HANDWHEEL	WITHOUT HANDWHEEL
1/2"	OM2	OM1
3/4"	OM2	OM1
1"	OM2	OM1
1-1/4"	OM2	OM1
1-1/2"	OM2	OM1
2"	OM2	OMA
2-1/2"	OM3	BM2
3"	OM3	BM2
4"	OM4	-

ELECTRIC ACTUATOR	Single-phase		Three-phase		
	110V	220V	220V	380V	440V
BM2	V	V	V	V	V
OM1	V	V	X	X	X
OMA	V	V	X	X	X
OM2	V	V	V	V	V
OM3	V	V	V	V	V
OM4	V	V	V	V	V

備註：  
1. 上述氣動及電動驅動器(Actuator)標配型號及圖形僅供參考，可依客戶需求選用。  
2. 相關規格資料請進一步向本公司洽詢。



### 1/2"~4" 本體尺寸表/Body dimension

SIZE	15mm (1/2")	20mm (3/4")	25mm (1")	32mm (1-1/4")	40mm (1-1/2")	50mm (2")	65mm (2-1/2")	80mm (3")	100mm (4")
JIS	d1 22.30 d2 21.70 I 22.22	26.30 25.70 25.4	32.33 31.67 28.6	38.43 37.57 31.8	48.46 47.54 34.9	60.56 59.44 38.1	76.60 75.87 61	89.6 88.83 63	114.7 113.98 69
ANSI	d1 21.54 d2 21.23 I 22.22	26.87 26.57 25.40	33.65 33.27 28.58	42.42 42.04 31.75	48.56 48.11 34.93	60.53 60.17 38.10	73.38 72.85 44.45	89.3 88.7 47.63	114.3 113.5 57.15
DIN	d1 20.3 d2 19.9 I 16	25.3 24.9 19	32.3 31.9 22	40.3 39.9 26	50.3 49.9 31	63.3 62.9 38	75.35 74.9 44	80.5 80.1 51	110.6 109.9 61
BS	d1 21.7 d2 21 I 22.22	27.18 26.36 26.4	33.36 33.15 28.56	42.35 41.85 31.75	48.35 47.85 34.95	60.75 59.95 38.1	- - -	- - -	- - -
Std. In	NPT 14 PT 14	14 14	11.5 11	11.5 11	11.5 11	8 11	8 11	8 11	8 11
O	46.5	55	66	82	98	120	140	163	223
D1	31	37	45	54	65	79	92	108	146
d	13	16	21	30	38	48	61	69	99
L	114	135	149	168	175	208	275	304	332
L1	60	73	79	88	95	114	138	158	176

### 1/2"~4" 氣動式/Pneumatic Actuator Type

NO.	PART	MATERIAL	QTY
1	BODY 本體	UPVC, CPVC, PP, PVDF, ABS	1
2	STEM O-RING 中心O環	EPDM, FPM	2
3	STEM 中心柱	UPVC, CPVC, PP, PVDF, ABS	1
4	BALL 球體	UPVC, CPVC, PP, PVDF, ABS	1
5	SEAT 墊座	PTFE	2
6	CARRIER O-RING 內特替O環	EPDM, FPM	1
7	SEAL CARRIER 內特替	UPVC, CPVC, PP, PVDF, ABS	1
8	UNION O-RING 由令O環	EPDM, FPM	2
9	END CONNECTOR 外特替	UPVC, CPVC, PP, PVDF, ABS	2
10	UNION NUT 螺帽	UPVC, CPVC, PP, PVDF, ABS	2
11	PNEUMATIC ACTUATOR 氣壓缸	EXTRUDED ALUMINUM ALLOY	1
12	MOUNTING PAD 固定架	SUS	1
13	COUPLING 連接頭	SUS	1
14	SUPPORT (2 1/2"~4") 支撐架	UPVC, CPVC	2
15	GASKET (2 1/2"~4") 墊片	EPDM	2

### 1/2"~4" 電動式/Electric Actuator Type

NO.	PART	MATERIAL	QTY
1	BODY 本體	UPVC, CPVC, PP, PVDF, ABS	1
2	STEM O-RING 中心O環	EPDM, FPM	2
3	STEM 中心柱	UPVC, CPVC, PP, PVDF, ABS	1
4	BALL 球體	UPVC, CPVC, PP, PVDF, ABS	1
5	SEAT 墊座	PTFE	2
6	CARRIER O-RING 內特替O環	EPDM, FPM	1
7	SEAL CARRIER 內特替	UPVC, CPVC, PP, PVDF, ABS	1
8	UNION O-RING 由令O環	EPDM, FPM	2
9	END CONNECTOR 外特替	UPVC, CPVC, PP, PVDF, ABS	2
10	UNION NUT 螺帽	UPVC, CPVC, PP, PVDF, ABS	2
11	ELECTRIC ACTUATOR 電動缸	ALUMINUM ALLOY POWDER COATED	1
12	MOUNTING PAD 固定架	SUS	1
13	COUPLING 連接頭	SUS	1

### 5"~6" 本體尺寸表/Body dimension 雙邊法蘭

SIZE	125mm (5")	150mm (6")
JIS	D1 210 D2 204 d 140 L 367 L1 173 T 27	240 241 140 391 173 29
ANSI	D1 216 D2 210 d 140 L 367 L1 173 T 27	241 241 140 391 173 29
DIN	D1 210 D2 204 d 140 L 367 L1 173 T 27	241 241 140 391 173 29

### 5"~6" 氣動式/Pneumatic Actuator Type

NO.	PART NAME	MATERIAL	QTY
1	BODY 本體	UPVC, CPVC	1
2	STEM O-RING 中心O環	EPDM, FPM	2
3	STEM 中心柱	UPVC, CPVC	1
4	BALL 球體	UPVC, CPVC	1
5	SEAT 墊座	PTFE	2
6	FLANGE O-RING 法蘭片O環	EPDM, FPM	2
11	PNEUMATIC ACTUATOR 氣壓缸	EXTRUDED ALUMINUM ALLOY	1
12	MOUNTING PAD 固定架	SUS	1
13	FLANGE 法蘭片	UPVC, CPVC	2
15	SEAT O-RING 墊座O環	EPDM, FPM	2
17	COUPLING 連接頭	SUS	1
19	DOUBLE ARMING BOLT 雙頭螺絲	SUS304	10
20	SPRING WASHER 彈簧墊圈	SUS304	20
21	WASHER 平墊圈	SUS304	20
22	NUT 螺帽	SUS304	20

