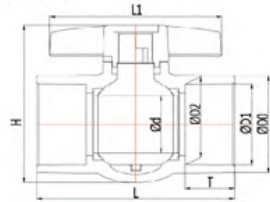


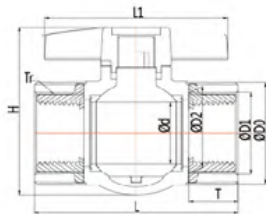
插口球阀
Socket Ball Valve



(DIN) VALVE

Dimension (mm)								
Size(De)	D0	D1	D2	d	T	H	L1	L
20	30.00	19.96	20.24	15.00	17.00	60.00	70.00	74.00
25	35.00	24.95	25.24	20.00	19.50	68.00	80.00	85.00
32	43.00	31.95	32.25	25.00	23.00	80.00	92.00	98.00
40	52.00	39.95	40.28	30.00	27.00	90.00	112.00	112.50
50	63.00	49.94	50.33	34.00	32.00	105.00	114.00	128.00
63	76.00	62.93	63.34	45.00	38.50	123.00	134.00	154.00
75	90.00	74.93	75.35	55.00	44.50	156.00	190.00	176.00
90	105.00	89.93	90.38	67.00	52.00	178.00	220.00	203.00
110	128.50	109.92	110.42	93.00	62.00	208.50	250.00	260.00

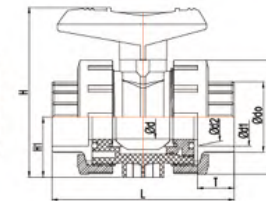
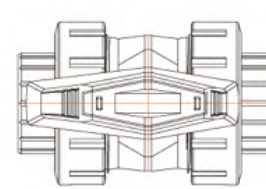
丝口球阀
Threaded Ball Valve



(DIN) VALVE

Dimension (mm)									
Size(De ^{***})	D0	D1	D2	d	T	H	L1	L	Tr
20*1/2"	31.60	18.35	18.76	15.00	17.00	60.00	70.00	74.00	1/2"
25*3/4"	37.70	23.90	24.10	20.00	19.50	68.00	80.00	85.00	3/4"
32*1"	45.50	30.70	31.00	25.00	23.00	80.00	92.00	98.00	1"
40*1-1/4"	54.80	39.10	39.60	30.00	27.00	90.00	112.00	112.50	1-1/4"
50*1-1/2"	62.00	44.50	45.00	34.00	32.00	105.00	114.00	128.00	1-1/2"
63*2"	74.80	56.10	56.60	45.00	36.00	123.00	134.00	149.00	2"
75*2-1/2"	92.20	71.96	72.20	55.00	40.00	156.00	190.00	168.00	2-1/2"
90*3"	106.70	84.40	85.10	67.00	48.00	178.00	220.00	195.00	3"

插口双由令球阀
Socket True Union Ball Valve



(DIN) VALVE

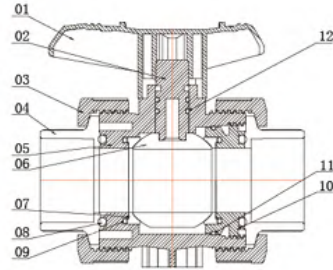
Dimension (mm)									Working Pressure (kg/cm ²)	
Size DN(De)	D0	d0	d1	d2	d	T	H1	H		
15(20)	51.50	27.40	20.30	19.95	15.50	17.00	26.30	82.80	95.50	10
20(25)	59.00	32.70	25.30	24.95	20.50	19.50	30.60	92.80	109.10	10
25(32)	70.00	41.30	32.30	31.90	26.00	23.00	39.10	109.20	122.60	10
32(40)	85.40	49.60	40.35	39.90	33.00	27.00	44.20	131.80	147.30	10
40(50)	98.90	60.20	50.35	49.90	39.00	32.00	52.20	143.20	158.80	10
50(63)	122.20	76.00	63.40	62.90	51.00	38.50	71.30	175.70	182.80	10
65(75)	158.60	89.60	75.40	74.90	64.00	44.50	82.80	231.50	234.00	10
80(90)	192.10	105.40	90.50	89.90	81.00	52.00	99.30	260.60	255.00	10
100(110)	223.60	128.40	110.60	109.90	99.00	62.00	115.20	292.10	297.00	10

(ASTM) VALVE

Dimension (mm)									Working Pressure (kg/cm ²)	
Size (")	D0	d0	d1	d2	d	H1	H	T		
1/2"	51.50	27.40	21.54	21.23	15.50	26.30	82.80	23.22	107.90	10
3/4"	59.00	32.70	26.57	26.57	20.50	30.60	92.80	26.40	122.90	10
1"	70.00	41.30	33.66	33.27	26.00	39.10	109.20	29.57	135.70	10
1-1/4"	85.40	49.60	42.42	42.04	33.00	44.20	131.80	32.75	158.80	10
1-1/2"	98.90	60.20	48.56	48.11	39.00	52.20	143.20	32.00	166.80	10
2"	122.20	76.00	60.63	60.17	51.00	71.30	175.70	39.10	182.80	10
2-1/2"	158.60	89.60	73.38	72.85	64.00	82.80	231.50	44.50	236.00	10
3"	192.10	105.40	89.31	88.70	81.00	99.30	260.60	48.60	249.00	10
4"	223.60	128.40	114.76	114.07	99.00	115.20	292.10	58.15	289.00	10

MATERIAL TABLE

No.	Parts	部件	Quantity	Material
01	Lever	手柄	1	PVC-U/PP+GF30%
02	Shaft	连接杆	1	PVC-U/PVC-C
03	Nut	螺帽	2	PVC-U/PVC-C
04	Faucet	承口	2	PVC-U/PVC-C
05	Body	阀体	1	PVC-U/PVC-C
06	Ball	球心	1	PVC-U/PVC-C
07	Ball seat	止污圈	2	PTFE/TPE+PP
08	O-ring1	O型圈1	2	EPDM/FPM
09	O-ring2	O型圈2	2	EPDM/FPM
10	Seal-Carrier	调节单盖	1	PVC-U/PVC-C
11	O-ring3	O型圈3	1	EPDM/FPM
12	O-ring4	O型圈4	2	EPDM/FPM



(DIN)VALVE

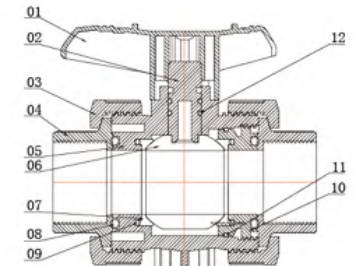
Size DN(De)	Dimension (mm)											Working Pressure (kg/cm ²)	
	D0	d0	d1	d2	d3	d	H1	H	T	L	M		a°
15(20)	51.50	30.43	20.95	18.63	16.00	15.50	26.30	82.80	17.00	95.50	1/2"	3.58	10
20(25)	59.00	36.30	26.44	24.12	20.60	20.50	30.60	92.80	19.50	109.10	3/4"	3.58	10
25(32)	70.00	44.61	33.25	30.29	26.00	26.00	39.10	109.20	23.00	122.60	1"	3.58	10
32(40)	85.40	53.87	41.91	38.95	33.00	33.00	44.20	131.80	27.00	147.30	1-1/4"	3.58	10
40(50)	98.90	61.12	47.80	44.85	39.00	39.00	52.20	143.20	32.00	158.80	1-1/2"	3.58	10
50(63)	122.20	73.83	59.61	56.66	51.00	51.00	71.30	175.70	38.50	182.80	2"	3.58	10
65(75)	158.60	87.71	75.18	74.23	64.00	64.00	82.80	231.50	44.50	234.00	2-1/2"	3.58	10
80(90)	192.10	106.81	87.88	84.93	81.00	81.00	99.30	260.60	52.00	255.00	3"	3.58	10
100(110)	223.60	133.46	113.03	110.07	99.00	99.00	115.20	292.10	62.00	297.00	4"	3.58	10

(ASTM)VALVE

Size(")	Dimension (mm)											Working Pressure (kg/cm ²)	
	D0	d0	d1	d2	d3	d	H1	H	T	L	M		a°
1/2"	51.50	30.43	20.95	18.63	16.00	15.50	26.30	82.80	17.00	95.50	1/2"	3.58	10
3/4"	59.00	36.30	26.44	24.12	20.60	20.50	30.60	92.80	19.50	109.10	3/4"	3.58	10
1"	70.00	44.61	33.25	30.29	26.00	26.00	39.10	109.20	23.00	122.60	1"	3.58	10
1-1/4"	85.40	53.87	41.91	38.95	33.00	33.00	44.20	131.80	27.00	147.30	1-1/4"	3.58	10
1-1/2"	98.90	61.12	47.80	44.85	39.00	39.00	52.20	143.20	32.00	158.80	1-1/2"	3.58	10
2"	122.20	73.83	59.61	56.66	51.00	51.00	71.30	175.70	38.50	182.80	2"	3.58	10
2-1/2"	158.60	87.71	75.18	74.23	64.00	64.00	82.80	231.50	44.50	234.00	2-1/2"	3.58	10
3"	192.10	106.81	87.88	84.93	81.00	81.00	99.30	260.60	52.00	255.00	3"	3.58	10
4"	223.60	133.46	113.03	110.07	99.00	99.00	115.20	292.10	62.00	297.00	4"	3.58	10

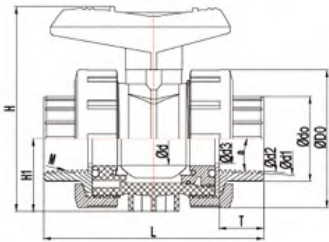
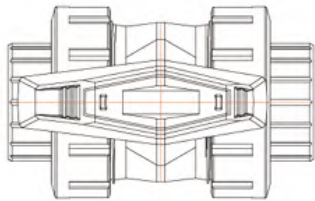
MATERIAL TABLE

No.	Parts	部件	Quantity	Material
01	Lever	手柄	1	PVC-U/PP+GF30%
02	Shaft	连接杆	1	PVC-U/PVC-C
03	Nut	螺帽	2	PVC-U/PVC-C
04	Threaded Faucet	螺纹承口	2	PVC-U/PVC-C
05	Body	阀体	1	PVC-U/PVC-C
06	Ball	球心	1	PVC-U/PVC-C
07	Ball seat	止污圈	2	PTFE/TPE+PP
08	O-ring1	O型圈1	2	EPDM/FPM
09	O-ring2	O型圈2	2	EPDM/FPM
10	Seal-Carrier	调节单盖	1	PVC-U/PVC-C
11	O-ring3	O型圈3	1	EPDM/FPM
12	O-ring4	O型圈4	2	EPDM/FPM

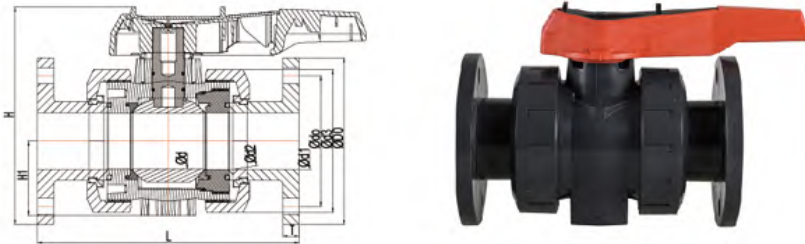


丝口双由令球阀

Threaded True Union Ball Valve



法兰式双由令球阀
Flanged True Union Ball Valve



(DIN) VALVE

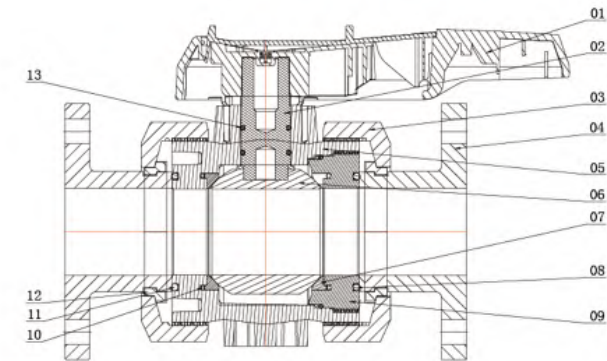
Size DN(De)	Dimension (mm)										Working Pressure (kg/cm ²)
	D0	d0	d1	d2	d3	d	H1	H	T	L	
15(20)	95.00	65.00	20.30	19.95	51.50	15.50	26.30	103.90	13.00	143.00	10
20(25)	105.00	75.00	25.30	24.95	59.00	20.50	30.60	114.66	14.00	172.00	10
25(32)	115.00	85.00	32.30	31.90	70.00	26.00	39.10	127.56	15.00	187.00	10
32(40)	140.00	100.00	40.35	39.90	85.40	33.00	44.20	157.51	15.00	190.00	10
40(50)	150.00	110.00	50.35	49.90	98.90	39.00	52.20	166.00	17.00	212.00	10
50(63)	165.00	125.00	63.40	62.90	122.20	51.00	71.30	197.50	17.00	234.00	10
65(75)	185.00	145.00	75.40	74.90	158.60	64.00	82.80	241.20	18.00	290.00	10
80(90)	200.00	160.00	90.50	89.90	192.10	81.00	99.30	261.20	18.00	310.00	10
100(110)	220.00	180.00	110.60	109.90	223.60	99.00	115.20	286.68	18.00	372.00	10

(ASTM) VALVE

Size(")	Dimension (mm)										Working Pressure (kg/cm ²)
	D0	d0	d1	d2	d3	d	H1	H	T	L	
1/2"	95.00	70.00	22.40	19.95	51.50	15.50	26.30	103.90	13.00	143.00	10
3/4"	100.00	75.00	26.45	24.95	59.00	20.50	30.60	114.66	14.00	172.00	10
1"	125.00	90.00	32.55	31.90	70.00	26.00	39.10	127.56	15.00	187.00	10
1-1/4"	135.00	100.00	38.60	39.90	85.40	33.00	44.20	157.51	15.00	190.00	10
1-1/2"	140.00	105.00	48.70	49.90	98.90	39.00	52.20	166.00	17.00	212.00	10
2"	155.00	120.00	60.80	62.90	122.20	51.00	71.30	197.50	19.00	234.00	10
2-1/2"	175.00	140.00	76.80	74.90	158.60	64.00	82.80	241.20	20.00	290.00	10
3"	185.00	150.00	89.60	89.90	192.10	81.00	99.30	261.20	20.50	310.00	10
4"	210.00	175.00	114.70	109.90	223.60	99.00	115.20	286.68	21.00	372.00	10

(JIS) VALVE

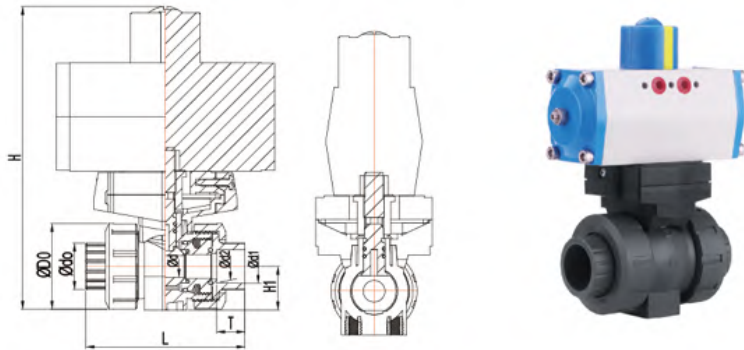
Size DN(De)	Dimension (mm)										Working Pressure (kg/cm ²)
	D0	d0	d1	d2	d3	d	H1	H	T	L	
15(20)	95.00	70.00	22.40	19.95	51.50	15.00	26.30	103.90	15.00	145.00	10
20(25)	100.00	75.00	26.45	24.95	59.00	20.00	30.60	114.66	15.00	175.00	10
25(32)	125.00	90.00	32.55	31.90	70.00	25.00	39.10	127.56	15.00	190.00	10
32(40)	135.00	100.00	38.60	39.90	85.40	30.00	44.20	157.51	16.00	195.00	10
40(50)	140.00	105.00	48.70	49.90	98.90	40.00	52.20	166.00	17.00	220.00	10
50(63)	155.00	120.00	60.80	62.90	122.20	50.00	71.30	197.50	21.00	234.00	10
65(75)	175.00	140.00	76.80	74.90	158.60	63.00	82.80	241.20	23.00	300.00	10
80(90)	185.00	150.00	89.60	89.90	192.10	80.00	99.30	261.20	23.50	320.00	10
100(110)	210.00	175.00	114.70	109.90	223.60	100.00	115.20	286.68	23.50	387.00	10



MATERIAL TABLE

No.	Parts	部件	Quantity	Material
01	Lever	手柄	1	PVC-U/PP+GF30%
02	Shaft	连接杆	1	PVC-U/PVC-C
03	Nut	螺帽	2	PVC-U/PVC-C
04	One piece flange	一体法兰	2	PVC-U/PVC-C
05	Body	阀体	1	PVC-U/PVC-C
06	Ball	球心	1	PVC-U/PVC-C
07	Ball seat	止泻圈	2	PTFE/TPE+PP
08	O-ring1	O型圈1	2	EPDM/FPM
09	Seal-Carrier	调节单盖	1	PVC-U/PVC-C
10	O-ring2	O型圈2	2	EPDM/FPM
11	O-ring3	O型圈3	1	EPDM/FPM
12	Fixed snap ring	固定卡环	2	PVC-U/PVC-C
13	O-ring4	O型圈4	2	EPDM/FPM

气动式双由令球阀
Pneumatic True Union Ball Valve

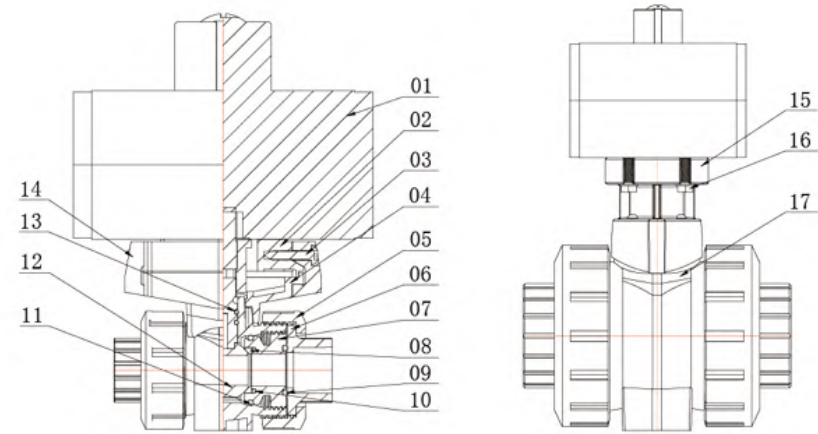


(DIN) VALVE

Size DN(De)	Dimension (mm)									Working Pressure (kg/cm ²)
	D0	d0	d1	d2	d	H1	H	T	L	
15(20)	51.50	27.40	20.30	19.95	15.50	26.30	156.50	17.00	95.50	10
20(25)	59.00	32.70	25.30	24.95	20.50	30.60	194.00	19.50	109.10	10
25(32)	70.00	41.30	32.30	31.90	26.00	39.10	210.00	23.00	122.60	10
32(40)	85.40	49.60	40.35	39.90	33.00	44.20	243.40	27.00	147.30	10
40(50)	98.90	60.20	50.35	49.90	39.00	52.20	268.90	32.00	158.80	10
50(63)	122.20	76.00	63.40	62.90	51.00	71.30	301.20	38.50	182.80	10
65(75)	158.60	89.60	75.40	74.90	64.00	82.80	373.60	44.50	234.00	10
80(90)	192.10	105.40	90.50	89.90	81.00	99.30	430.10	52.00	255.00	10
100(110)	223.60	128.40	110.60	109.90	99.00	115.20	493.60	62.00	297.00	10

(ASTM) VALVE

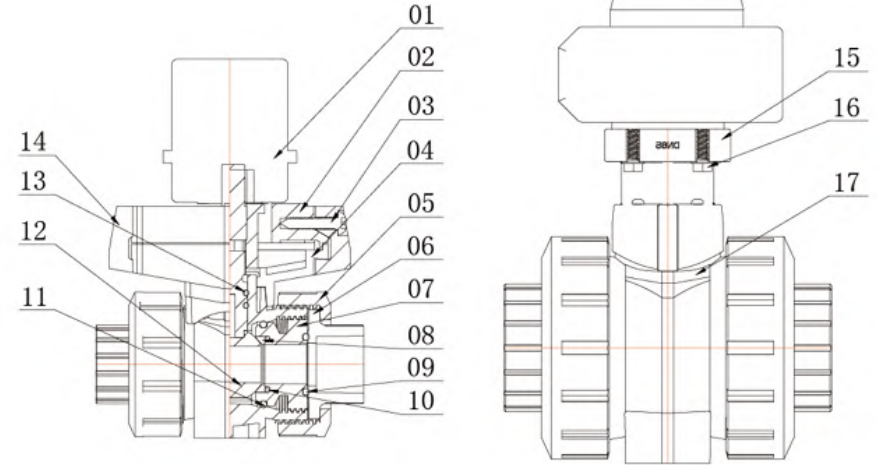
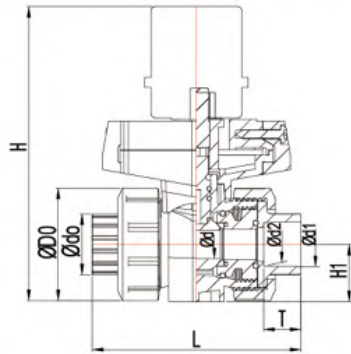
Size(")	Dimension (mm)									Working Pressure (kg/cm ²)
	D0	d0	d1	d2	d	H1	H	T	L	
1/2"	51.50	27.40	21.54	21.23	15.50	26.30	156.50	23.22	107.90	10
3/4"	59.00	32.70	26.87	26.57	20.50	30.60	194.00	26.40	122.90	10
1"	70.00	41.30	33.66	33.27	26.00	39.10	210.00	29.57	135.70	10
1-1/4"	85.40	49.60	42.42	42.04	33.00	44.20	243.40	32.75	158.80	10
1-1/2"	98.90	60.20	48.56	48.11	39.00	52.20	268.90	32.00	166.80	10
2"	122.20	76.00	60.63	60.17	51.00	71.30	301.20	39.10	182.80	10
2-1/2"	158.60	89.60	73.38	72.85	64.00	82.80	373.60	44.50	236.00	10
3"	192.10	105.40	89.31	88.70	81.00	99.30	430.10	48.60	249.00	10
4"	223.60	128.40	114.76	114.07	99.00	115.20	493.60	58.15	289.00	10



MATERIAL TABLE

No.	Parts	部件	Quantity	Material
01	Pneumatic actuator	气动执行器	1	aluminum alloy
02	Connector top cover	连接件上盖	1	PP+GF30%
03	Bolt	螺栓	2	Stainless Steel
04	Connector bottom cover	连接件下盖	1	PP+GF30%
05	Nut	螺母	2	PVC-U/PVC-C
06	Faucet	承口	2	PVC-U/PVC-C
07	Seal-carrier	调节单盖	1	PVC-U/PVC-C
08	Ball seat	止泻圈	2	PTFE/TPE+PP
09	O-ring 1	O型圈1	2	EPDM/FPM
10	O-ring 2	O型圈2	2	EPDM/FPM
11	O-ring 3	O型圈3	1	EPDM/FPM
12	Ball	球心	1	PVC-U/PVC-C
13	O-ring 4	O型圈4	2	EPDM/FPM
14	Fixed buckle	固定卡扣	2	PP+GF30%
15	Connection	连接件	1	PP+GF30%
16	Bolt	螺栓	4	Stainless Steel
17	Body	阀体	1	PVC-U/PVC-C

电动式双由令球阀
Electric True Union Ball Valve



(DIN) VALVE

Size DN(De)	Dimension (mm)									Working Pressure (kg/cm ²)
	D0	d0	d1	d2	d	H1	H	T	L	
15(20)	51.50	27.40	20.30	19.95	15.50	26.30	201.50	17.00	95.50	10
20(25)	59.00	32.70	25.30	24.95	20.50	30.60	209.00	19.50	109.10	10
25(32)	70.00	41.30	32.30	31.90	26.00	39.10	220.00	23.00	122.60	10
32(40)	85.40	49.60	40.35	39.90	33.00	44.20	235.40	27.00	147.30	10
40(50)	98.90	60.20	50.35	49.90	39.00	52.20	248.90	32.00	158.80	10
50(63)	122.20	76.00	63.40	62.90	51.00	71.30	272.20	38.50	182.80	10
65(75)	158.60	89.60	75.40	74.90	64.00	82.80	353.60	44.50	234.00	10
80(90)	192.10	105.40	90.50	89.90	81.00	99.30	397.10	52.00	255.00	10
100(110)	223.60	128.40	110.60	109.90	99.00	115.20	438.60	62.00	297.00	10

(ASTM) VALVE

Size(")	Dimension (mm)									Working Pressure (kg/cm ²)
	D0	d0	d1	d2	d	H1	H	T	L	
1/2"	51.50	27.40	21.54	21.23	15.50	26.30	201.50	23.22	107.90	10
3/4"	59.00	32.70	26.87	26.57	20.50	30.60	209.00	26.40	122.90	10
1"	70.00	41.30	33.66	33.27	26.00	39.10	220.00	29.57	135.70	10
1-1/4"	85.40	49.60	42.42	42.04	33.00	44.20	235.40	32.75	158.80	10
1-1/2"	98.90	60.20	48.56	48.11	39.00	52.20	248.90	32.00	166.80	10
2"	122.20	76.00	60.63	60.17	51.00	71.30	272.20	39.10	182.80	10
2-1/2"	158.60	89.60	73.38	72.85	64.00	82.80	353.60	44.50	236.00	10
3"	192.10	105.40	89.31	88.70	81.00	99.30	397.10	48.60	249.00	10
4"	223.60	128.40	114.76	114.07	99.00	115.20	438.60	58.15	289.00	10

MATERIAL TABLE

No.	Parts	部件	Quantity	Material
01	Electric actuator	电动执行器	1	aluminum alloy
02	Connector top cover	连接件上盖	1	PP+GF30%
03	Bolt	螺栓	2	Stainless Steel
04	Connector bottom cover	连接件下盖	1	PP+GF30%
05	Nut	螺母	2	PVC-U/PVC-C
06	Faucet	承口	2	PVC-U/PVC-C
07	Seal-carrier	调节单盖	1	PVC-U/PVC-C
08	Ball seat	止泻圈	2	PTFE/TPE+PP
09	O-ring 1	O型圈1	2	EPDM/FPM
10	O-ring 2	O型圈2	2	EPDM/FPM
11	O-ring 3	O型圈3	1	EPDM/FPM
12	Ball	球心	1	PVC-U/PVC-C
13	O-ring 4	O型圈4	2	EPDM/FPM
14	Fixed buckle	固定卡扣	2	PP+GF30%
15	Connection	连接件	1	PP+GF30%
16	Bolt	螺栓	4	Stainless Steel
17	Body	阀体	1	PVC-U/PVC-C