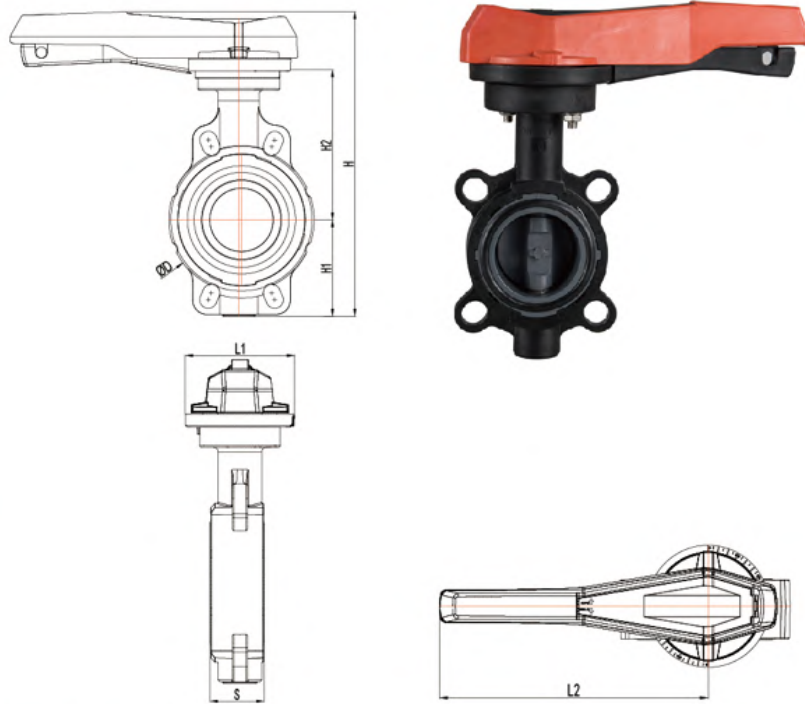


**HS WAFER TYPE BUTTERFLY VALVE**  
**UNIVERSAL FLANGED SUITS JIS10K/ANSI150/PN16**

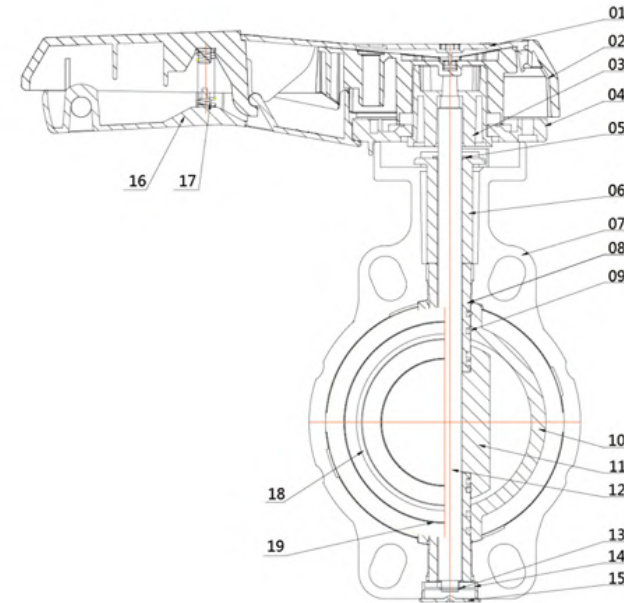
**SERIES #A2HS2**  
**PP BODY / EPDM SEAT / PVC DISC**

手动式蝶阀  
 Handled Buttefly Valve



(DIN/ASTM/JIS) VALVE

Size DN (De)	Dimension (mm)							Working Pressure (kg/cm <sup>2</sup> )
	D	H	H1	H2	S	L1	L2	
50(63)	104.00	266.00	77.00	134.00	44.50	102.00	212.50	10
65(75)	114.30	275.00	83.00	140.00	46.00	102.00	212.50	10
80(90)	130.00	288.00	89.00	146.00	48.60	102.00	212.50	10
100(110)	160.40	332.00	104.00	167.00	55.50	115.00	253.30	10
125(140)	186.00	361.00	117.00	181.00	63.00	115.00	253.30	10
150(160)	215.00	379.00	130.00	189.00	72.00	115.00	253.30	10
200(225)	269.00	449.00	158.00	210.00	73.00	150.00	410.00	10
250(280)	324.00	547.00	205.00	264.00	113.00	150.00	410.00	10
300(315)	336.60	590.00	228.00	285.00	114.40	150.00	410.00	10



**MATERIAL TABLE**

No.	Parts	部件	Quantity	Material
01	Handle Cap	手柄盖	1	PP+GF30%
02	Handle	手柄	1	PP+GF30%
03	Drive Seat	传动座	1	PP+GF40%
04	Gear Seat	齿轮座	1	PP+GF30%
05	Collar	挡圈	1	Stainless Steel 304/316
06	Located Set	定位套	1	PP+GF30%
07	Body	阀体	1	PP+GF30%
08	Guide Sleeve	导向套	2	PVC-U/PVC-C
09	O-ring	O型圈	8	EPDM/FPM
10	Valve sleeve	阀门套	1	PVC-U/PVC-C
11	Disc	阀板	1	PVC-U/PVC-C
12	Shaft	传动杆	1	Stainless Steel 304/316
13	Collar	档圈	1	Stainless Steel 304/316
14	Washer	垫圈	1	Stainless Steel 304/316
15	Washer cover	垫圈盖	1	PP+GF30%
16	Brake handle	制动把手	1	PP+GF30%
17	Spring	弹簧	1	Spring steel(zincplated)
18	Seal ring	油封	1	EPDM/FPM
19	Rubber ring	胶圈	2	EPDM/FPM