

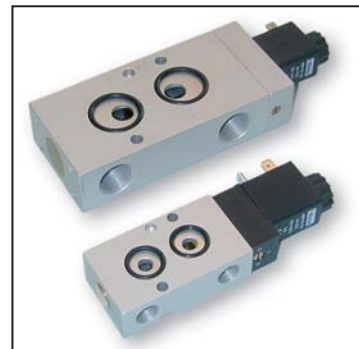


aerospace  
climate control  
electromechanical  
filtration  
**fluid & gas handling**  
hydraulics  
pneumatics  
process control  
sealing & shielding



# High Flow NAMUR Valve G1/4" & G1/2"

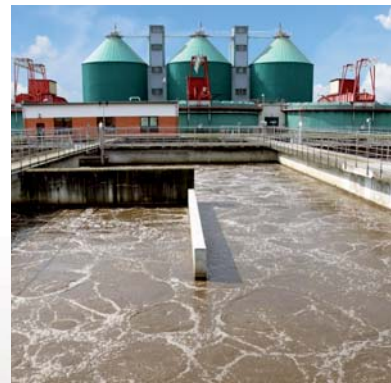
for Control of Pneumatic Actuators



ENGINEERING YOUR SUCCESS.

# Market Description

Process industries  
 Chemical, Petrochemical industries  
 Oil & Gas  
 Water & Sewage  
 Pulp & Paper  
 Food & Beverage  
 Pharmaceutical industry  
 Powder Dosing-Transportation  
 Air Dryers

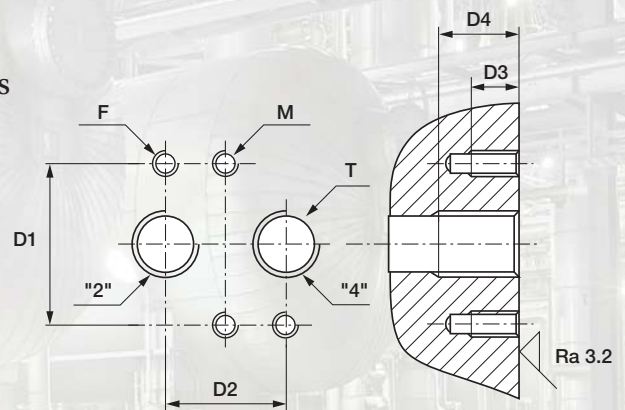


# Description of Applications

Control of single or double acting pneumatic actuators, in safe or dangerous areas.

# NAMUR Interfaces 1/4" & 1/2"

The interface design is conform to the NAMUR standard and to the VDI/VDE 3845 recommendations of the actuator industry. It allows a compact design of the actuator/valve unit. In case of a 3/2 function, the air of the actuator spring chamber also flows through the pilot valve (re-breather function). This prevents corrosion of the actuator springs.



F	T	D1 mm	D2 mm	D3 mm	D4 min. Mm	M mm
M5	1/4	32	24	8	12	M5
M6	1/2	45	40	10	16	M6

F: 2 mounting holes - T: 2 actuators control port - M: 2 holes for dowel pins



# Customer Value Proposition

- High flow: 1.250 l/min (1/4"), 3.000 l/min (1/2")
- Compact design
- Long life expectancy
- N3x series compatible with any Parker Lucifer coil (ATEX or not) of electrical group 2 (8/9 W coils)
- Fail safe standard
- Reduced inventory (3/2 & 5/2 functions with the same valve on 341Nx5 series)
- Mechanical part of the valve ATEX certified according standard EN 13463-1 & -5



## General Information

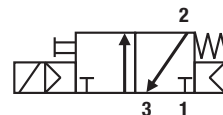
<b>Function:</b>	3/2 , 5/2, 3/2 <=> 5/2 and 5/3 valves.
<b>Manual override:</b>	Standard on all versions.
<b>Design:</b>	Solenoid operated spool valve with combined spring and air return & external air pressure operated versions.
<b>Mounting:</b>	For direct mounting on NAMUR interface ¼" & ½".
<b>Mounting position:</b>	Indifferent.
<b>Material specifications:</b>	Aluminium body. Internal parts from stainless steel. Sealing material from NBR.
<b>Range of admissible pressure drop:</b>	$\Delta p$ min. = see table. $\Delta p$ max. = 10 bar.
<b>Media:</b>	Dry or lubricated air.
<b>Fluid temperature:</b>	Min. 0°C Max. + 50°C
<b>Ambient temperature:</b>	-10°C to +50°C
<b>Electrical part:</b>	N0x series are compatible with 22mm coil 496131 / 496482 / 496637 Series N3x series are compatible with 32/37/40 mm coils part of electrical group 2 (8/9W), including 481865 / 495870 / 495905 Series.
<b>Solenoid duty:</b>	100% ED.
<b>Voltage:</b>	481865 coil: 12 VDC , 24 VDC , 48 VDC , 110VDC, 24 V / 50 AC, 48 V / 50 AC, 110 V / 50 AC, 220-230V/50 AC, 115 V / 60 Hz AC, 230 V / 60 AC.
<b>Voltage tolerance:</b>	± 10% of nominal for 481865 coil.
<b>Class of insulation material:</b>	Class F for 481865 coil.
<b>Standards:</b>	Mechanical ATEX conform to EN 13463-1 & -5.

# G1/4" Series

## Solenoid Operated Versions N03-N05 Series with 22 mm Coil

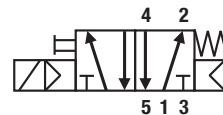
Port size	Orifice	Q <sub>N</sub>	Admissible differential pressure (bar)		Max. admissible fluid temperature (°C)	Seat disc	Reference number			Consumption Power (Watt)		Weight (g)	Dimensions Reference
			max.	min.			Valve	Housing	Coil	DC	AC		
G	mm	L/min	min	DC= AC~	Air & Neutral gases								

### 3/2 Solenoid operated - Combined spring & air return (monostable)



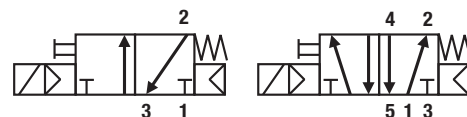
1/4	7	1250	2.5	10	10	50	NBR	<b>331N03</b>	-	496131	3	3	300	1
1/4	7	1250	2.5	10	10	50	NBR	<b>331N03</b>	-	496482	3	3	300	1
1/4	7	1250	2.5	10	10	50	NBR	<b>331N03</b>	-	496637	3	3	300	1

### 5/2 Solenoid operated - Combined spring & air return (monostable)



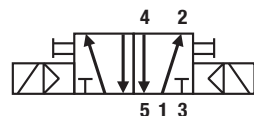
1/4	7	1250	2.5	10	10	50	NBR	<b>341N03</b>	-	496131	3	3	300	2
1/4	7	1250	2.5	10	10	50	NBR	<b>341N03</b>	-	496482	3	3	300	2
1/4	7	1250	2.5	10	10	50	NBR	<b>341N03</b>	-	496637	3	3	300	2

### 3/2 <=> 5/2 with conversion plate - Solenoid operated Combined spring & air return (monostable)



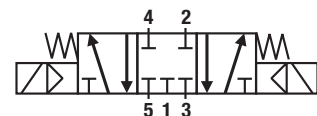
1/4	7	1250	2.5	10	10	50	NBR	<b>341N05</b>	-	496131	3	3	310	3
1/4	7	1250	2.5	10	10	50	NBR	<b>341N05</b>	-	496482	3	3	310	3
1/4	7	1250	2.5	10	10	50	NBR	<b>341N05</b>	-	496637	3	3	310	3

### 5/2 Solenoid operated and return (bistable)



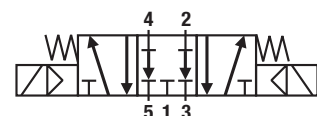
1/4	7	1250	2.5	10	10	50	NBR	<b>347N03</b>	-	496131	3	3	430	4
1/4	7	1250	2.5	10	10	50	NBR	<b>347N03</b>	-	496482	3	3	430	4
1/4	7	1250	2.5	10	10	50	NBR	<b>347N03</b>	-	496637	3	3	430	4

### 5/3 W1 closed in center position - Solenoid operated and return



1/4	7	1250	2.5	10	10	50	NBR	<b>342N03</b>	-	496131	3	3	430	4
1/4	7	1250	2.5	10	10	50	NBR	<b>342N03</b>	-	496482	3	3	430	4
1/4	7	1250	2.5	10	10	50	NBR	<b>342N03</b>	-	496637	3	3	430	4

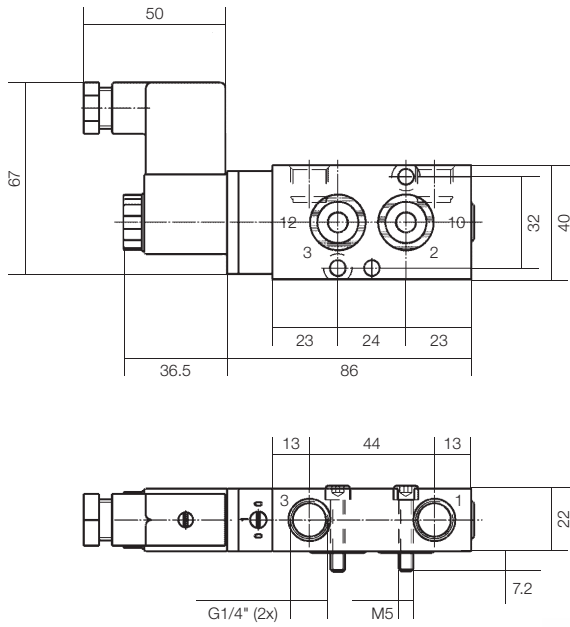
### 5/3 W3 exhausted in center position Solenoid operated and return (bistable)



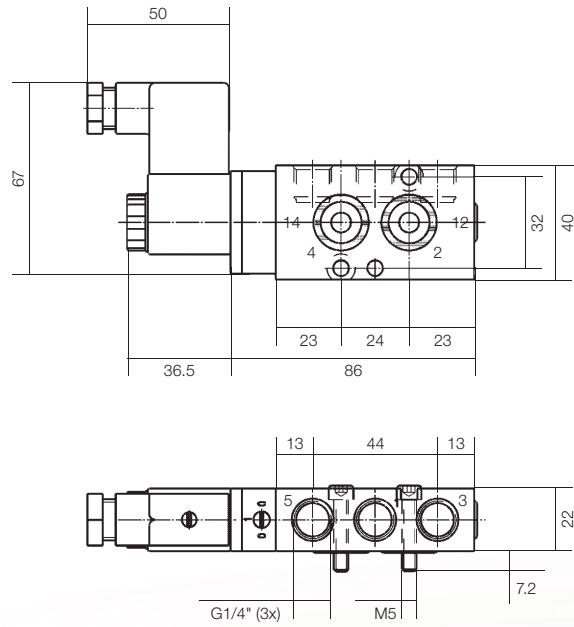
1/4	7	1250	2.5	10	10	50	NBR	<b>343N03</b>	-	496131	3	3	430	4
1/4	7	1250	2.5	10	10	50	NBR	<b>343N03</b>	-	496482	3	3	430	4
1/4	7	1250	2.5	10	10	50	NBR	<b>343N03</b>	-	496637	3	3	430	4

Please consult the "How to Order" part at the end of each coil chapter.

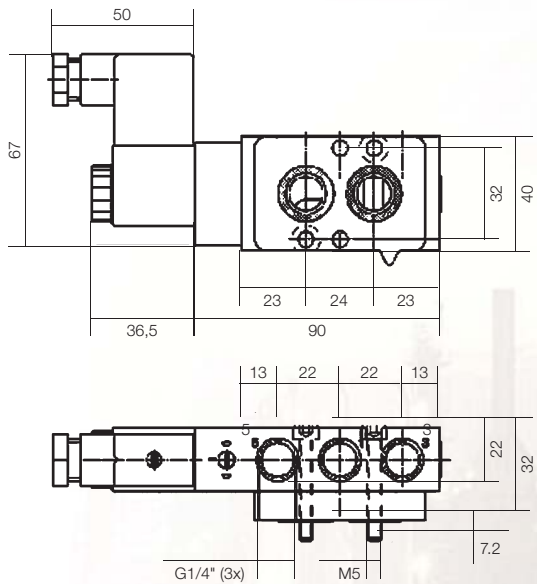
### Dimensions Reference 1



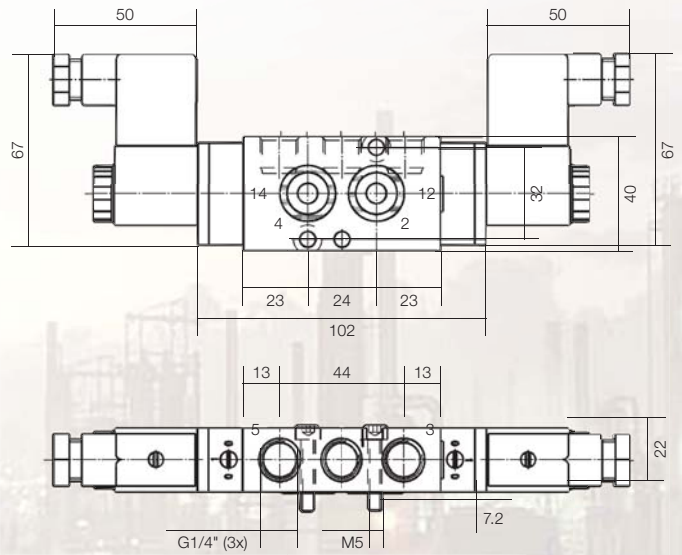
### Dimensions Reference 2



### Dimensions Reference 3



### Dimensions Reference 4



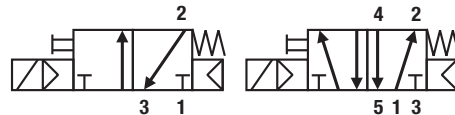
# G1/4" Series

## Solenoid Operated Versions

### N33-N35 Series with 32 / 37 / 40 mm Coil

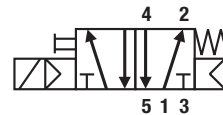
Port size	Orifice	Q <sub>n</sub>	Admissible differential pressure (bar)		Max. admissible fluid temperature (°C)	Seat disc	Reference number			Consumption Power (Watt)		Weight (g)	Elect. Group	Dim. Ref.
			max.	min.			Valve	Housing	Coil	DC	AC			
G	mm	L/min	min	DC=	AC~	Air & Neutral gases								

#### 3/2 <=> 5/2 with conversion plate - Solenoid operated Combined spring & air return (monostable)



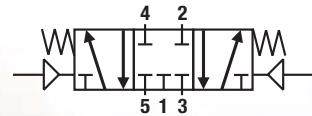
1/4	7	1250	2.5	10	10	50	NBR	<b>341N35</b>	<b>2995</b>	481865	9	8	480	2	5
1/4	7	1250	2.5	10	10	50	NBR	-	<b>2995</b>	495870	9	8	700	-	2
1/4	7	1250	2.5	10	10	50	NBR	-	-	495905	8	8	740	-	2

#### 5/2 Solenoid operated and return (bistable)



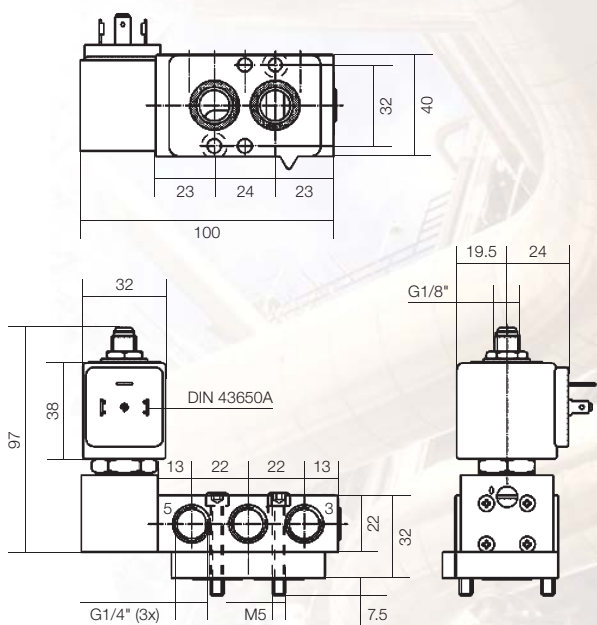
1/4	7	1250	2.5	10	10	50	NBR	<b>347N33</b>	<b>2995</b>	481865	9	8	750	2	6
1/4	7	1250	2.5	10	10	50	NBR	-	<b>2995</b>	495870	9	8	1190	2	-
1/4	7	1250	2.5	10	10	50	NBR	-	-	495905	8	8	1270	2	-

#### 5/3 W1 closed in center position Solenoid operated and return (bistable)

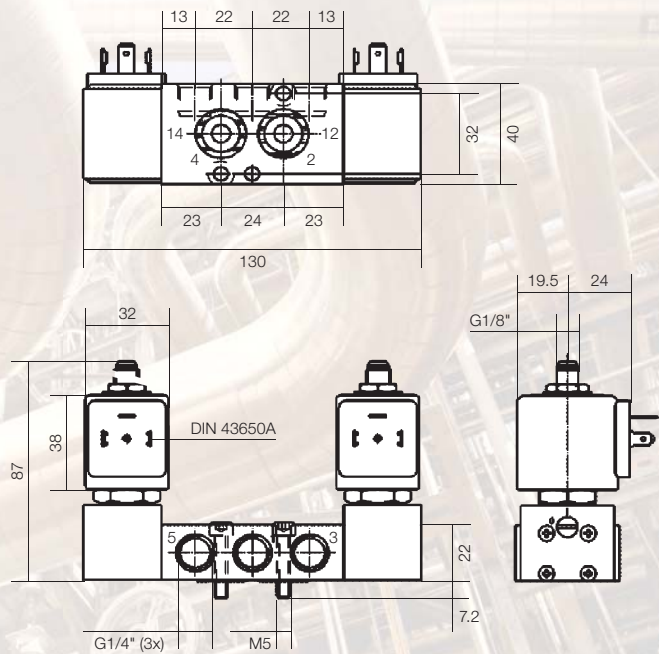


1/4	7	1250	2.5	10	10	50	NBR	<b>342N33</b>	<b>2995</b>	481865	9	8	750	2	6
1/4	7	1250	2.5	10	10	50	NBR	-	<b>2995</b>	495870	9	8	1190	2	-
1/4	7	1250	2.5	10	10	50	NBR	-	-	495905	8	8	1270	2	-

#### Dimensions Reference 5



#### Dimensions Reference 6



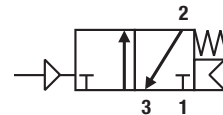
Please consult the "How to Order" part at the end of each coil chapter.

# G1/4" Series

## External Pressure Air Operated Series 5xx N03 Series

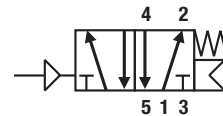
Port size	Orifice	Q <sub>N</sub>	Admissible differential pressure (bar)		Max. admissible fluid temperature (°C)	Seat disc	Reference number			Consumption Power (Watt)		Weight (g)	Dimensions Reference
			max.	min.			Valve	Housing	Coil	DC	AC		
G	mm	L/min	min	DC=	AC~	Air & Neutral gases							

**3/2 External pressure air operated  
Combined spring & air return (monostable)  
External pressure supply 2.5 to 10 bar**



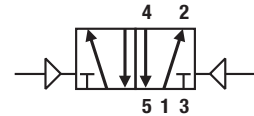
1/4	7	1250	2.5	10	10	50	NBR	<b>531N03</b>	-	w/o	-	-	210	7
-----	---	------	-----	----	----	----	-----	---------------	---	-----	---	---	-----	---

**5/2 external pressure air operated  
Combined spring & air return (monostable)  
External pressure supply 2.5 to 10 bar**



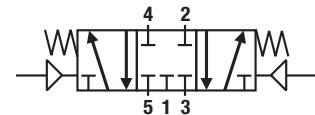
1/4	7	1250	2.5	10	10	50	NBR	<b>541N03</b>	-	w/o	-	-	210	8
-----	---	------	-----	----	----	----	-----	---------------	---	-----	---	---	-----	---

**5/2 external pressure air operated  
External pressure air return (bistable)  
External pressure supply 2.5 to 10 bar**



1/4	7	1250	2.5	10	10	50	NBR	<b>547N03</b>	-	w/o	-	-	240	9
-----	---	------	-----	----	----	----	-----	---------------	---	-----	---	---	-----	---

**5/3 W1 closed in center position - External pressure air operated  
External pressure air return (bistable)  
External pressure supply 2.5 to 10 bar**

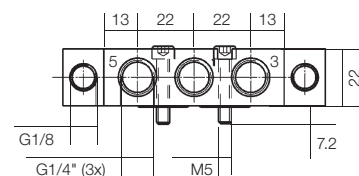
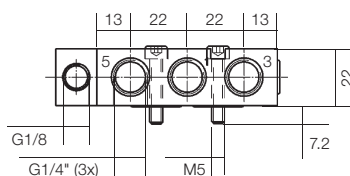
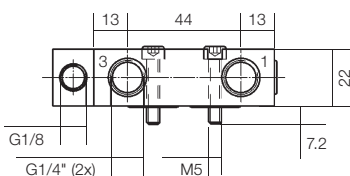
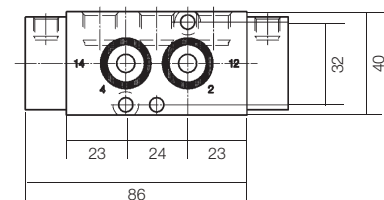
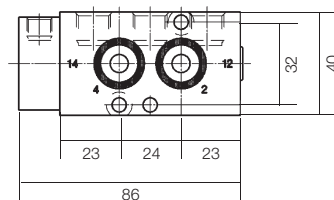
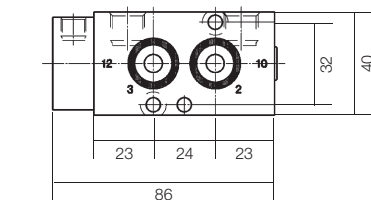


1/4	7	1250	2.5	10	10	50	NBR	<b>542N03</b>	-	w/o	-	-	240	9
-----	---	------	-----	----	----	----	-----	---------------	---	-----	---	---	-----	---

Dimensions Reference 7

Dimensions Reference 8

Dimensions Reference 9

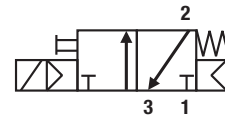


# G1/2" Series

## Solenoid Operated Versions N34 Series with 32 / 37 / 40 mm Coil

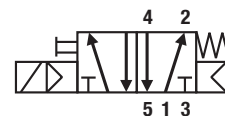
Port size	Orifice	Q <sub>N</sub>	Admissible differential pressure (bar)		Max. admissible fluid temperature (°C)	Seat disc	Reference number			Consumption Power (Watt)		Weight (g)	Elect. Group	Dim. Ref.
			max.	AC~			Valve	Housing	Coil	DC	AC			
G	mm	L/min	min	DC=	AC~	Air & Neutral gases								

### 3/2 Solenoid operated Combined spring & air return (monostable)



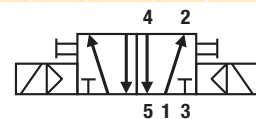
1/2	12	3000	2.5	10	10	50	NBR	<b>331N34</b>	<b>2995</b>	481865	9	8	910	2	10
1/2	12	3000	2.5	10	10	50	NBR	-	<b>2995</b>	495870	9	8	1130	2	-
1/2	12	3000	2.5	10	10	50	NBR	-	-	495905	8	8	1170	2	-

### 5/2 Solenoid operated Combined spring & air return (monostable)



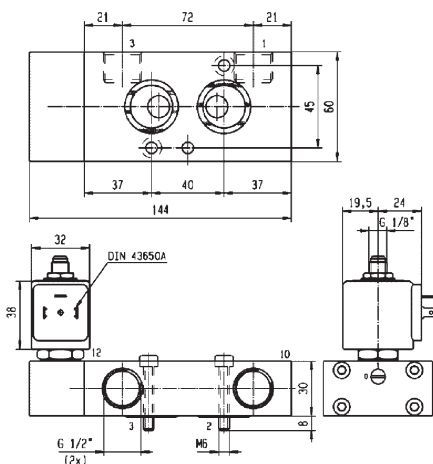
1/2	12	3000	2.5	10	10	50	NBR	<b>341N34</b>	<b>2995</b>	481865	9	8	900	2	11
1/2	12	3000	2.5	10	10	50	NBR	-	<b>2995</b>	495870	9	8	1120	2	-
1/2	12	3000	2.5	10	10	50	NBR	-	-	495905	8	8	1160	2	-

### 5/2 Solenoid operated and return (bistable)

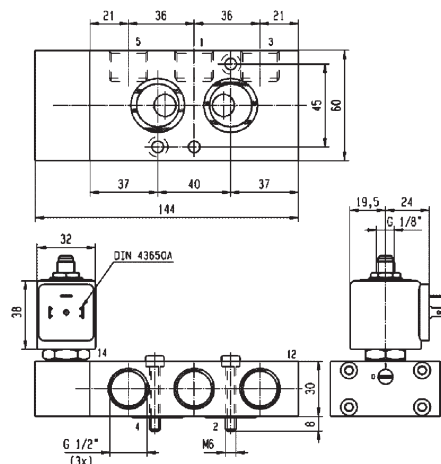


1/2	12	3000	2.5	10	10	50	NBR	<b>347N34</b>	<b>2995</b>	481865	9	8	1240	2	12
1/2	12	3000	2.5	10	10	50	NBR	-	<b>2995</b>	495870	9	8	1680	2	-
1/2	12	3000	2.5	10	10	50	NBR	-	-	495905	8	8	1760	2	-

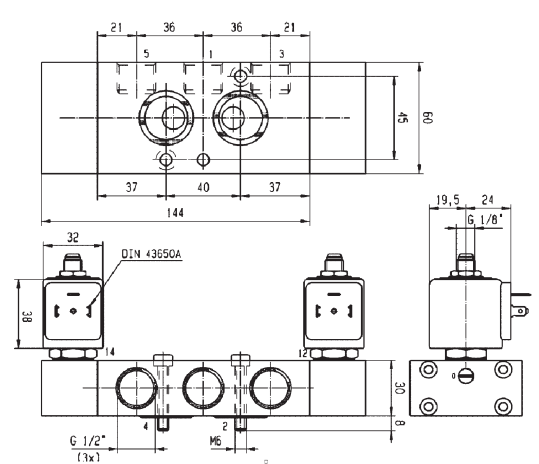
#### Dimensions Reference 10



#### Dimensions Reference 11



#### Dimensions Reference 12



Please consult the "How to Order" part at the end of each coil chapter.

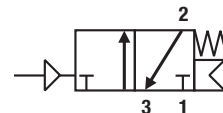


# G1/2" Series

## External Pressure Air Operated Series 5 xx N04 Series

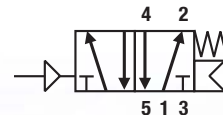
Port size	Orifice	Q <sub>n</sub>	Admissible differential pressure (bar)		Max. admissible fluid temperature (°C)	Seat disc	Reference number			Consumption Power (Watt)		Weight (g)	Dimensions Reference
			max.	min.			Valve	Housing	Coil	DC	AC		
G	mm	L/min	min	DC= AC~	Air & Neutral gases								

**3/2 External pressure air operated  
Combined spring & air return (monostable)  
External pressure supply 2.5 to 10 bar**



1/2	12	3000	2.5	10	10	50	NBR	531N04	-	w/o	-	-	620	13
-----	----	------	-----	----	----	----	-----	--------	---	-----	---	---	-----	----

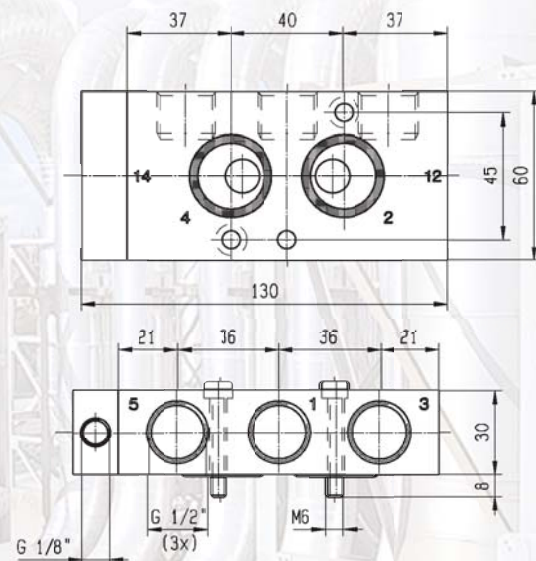
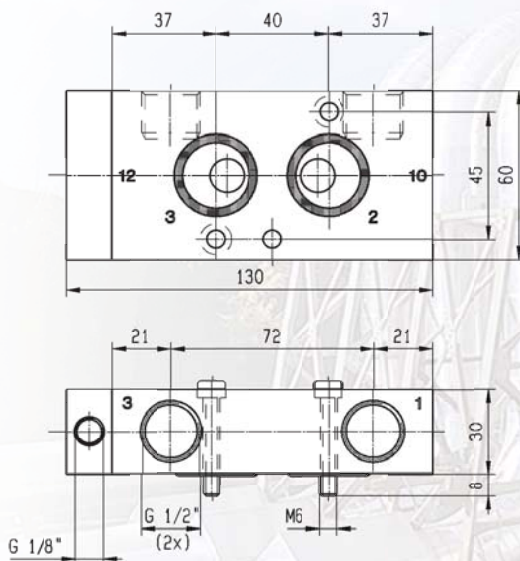
**5/2 external pressure air operated  
Combined spring & air return (monostable)  
External pressure supply 2.5 to 10 bar**



1/2	12	3000	2.5	10	10	50	NBR	541N04	-	w/o	-	-	600	14
-----	----	------	-----	----	----	----	-----	--------	---	-----	---	---	-----	----

Dimensions Reference 13

Dimensions Reference 14



# Coils and Spare Parts Informations


## Coils 22 mm for N03-N05 Series Safe Area & ATEX Zone 22

Ref. 496131 / 496482 / 496637

These coils with connection for 2 P+G DIN 43650 B plug are encapsulated in synthetic material, conform to the IEC/CENELEC safety standards and comply with European low voltage directive 73/23/EC .

- Power: 3W
- Insulation Class: F (155°C)
- Degree of Protection: IP65 (with plug)
- Duty Cycle: 100% ED
- Ambient Temperature: -10°C to 50°C

3 different types are available:

- **Ref. 496131** for a safe area without plug
- **Ref. 496482** for a safe area with plug
- **Ref. 496637** for an ATEX area Zone 22 

496637 coil series with connection 2P + G when mounted together with the supplied Pg9 plug (delivered with the coil) are suitable for use in dangerous areas (dust Zone 22) according to the European directive ATEX 94/9/C. Protection mode: Ex tD A22 IP65 - T95°C

Available Voltages	Safe area without DIN plug Order Code	Safe area with DIN plug Order Code	ATEX Zone 22 EX II 3D Order Code
12VDC	496131 C1	496482 C1	496637 C1
24VDC	496131 C2	496482 C2	496637 C2
48VDC	496131 C4	496482 C4	496637 C4
110VDC	496131 C5	496482 C5	496637 C5
24/50-60VAC	496131 P0	496482 P0	496637 P0
48/50-60VAC	496131 S4	496482 S4	496637 S4
110/50-60VAC	496131 P2	496482 P2	496637 P2
115/60VAC	496131 K8	496482 K8	496637 K8
230/50-60VAC	496131 P9	496482 P9	496637 P9

## How to Order

The housing kit is already included into the coil reference, so it's not needed to add it in the order code:

Valve Reference Number - Coil Reference - Voltage code = Order code

**Example: 341N03 - 496131 C2**

Valves and coils may be ordered also separately.

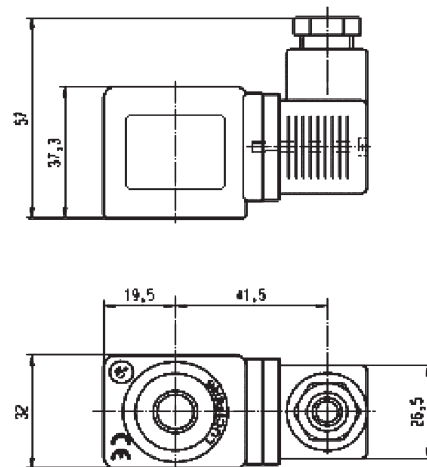
# Coils 32 mm / 37 mm / 40 mm for N33-N34-N35 Series Safe Area

Ref. 481865

N3x series are compatible with any Parker Lucifer coil part of electrical group 2. That group includes many different coils for safe areas or areas submitted to ATEX certifications. These coils are of the 8/9W class.

These coils with connection for 2P+G DIN 43650 A plug are encapsulated in synthetic material, conform to the IEC/CENELEC safety standards and comply with European low voltage directive 73/23/EC.

- Power: 8W (AC) 9W (DC)
- Insulation Class: F (155°C)
- Degree of Protection: IP65 (with plug)
- Duty Cycle: 100% ED
- Voltage Tolerance -10%/+10%
- Ambient Temperature -40°C/+50°C
  - ▶ The application can be limited also by the temperature range of the valve



Available Voltages	Order Code
12VDC	481865 C1
24VDC	481865 C2
48VDC	481865 C4
110VDC	481865 C5
24/50VAC	481865 A2
48/50VAC	481865 A4
110/50VAC	481865 A5
220-230/50VAC	481865 3D
380/50VAC	481865 A9
24/60VAC	481865 B2
115/60VAC	481865 K8
230/60VAC	481865 J3



## How to Order

This coil must be used together with a housing kit which includes a nut, a plate, and a washer. Housing Kit Order Code: **2995**

Valve Reference Number - Housing Reference - Coil Reference - Voltage Code = Order Code

**Example: 341N35 - 2995 - 481865 C2**

Valves and coils may be ordered also separately.

# Coils and Spare Parts Informations

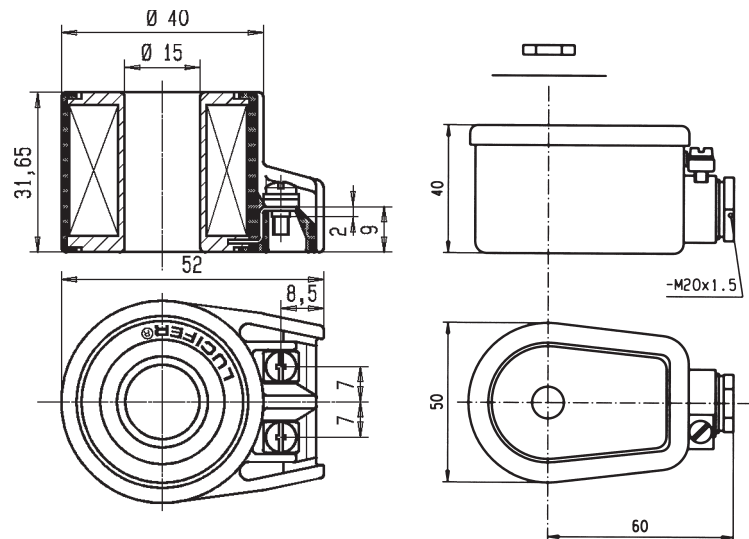
## Coils 32 mm / 37 mm / 40 mm for N33-N34-N35 Series Safe Area Coil 481000 Series with 4538 Watertight and dust proof housing IP67

Ref. 481000

Coil 481000 series is encapsulated in synthetic material. Electrical connection is made with screw terminals for wire up to 1.5 mm. This coil conforms to the IEC/CENELEC safety standards and complies with European low voltage directive 73/23/EC. It must be used with a metallic housing.

- Power: 8W
- Insulation Class: F (155°C)
- Degree of Protection: IP67 (with 4538 housing)
- Duty Cycle: 100%
- Voltage Tolerance -10%/+10%
- Ambient Temperature -40°C/+50°C
- ▶ The application can be limited also by the temperature range of the valve

Available Voltages	Order Code
12VDC	481000 C1
24VDC	481000 C2
48VDC	481000 C4
110VDC	481000 C5
24/50VAC	481000 A2
48/50VAC	481000 A4
110-115/50VAC	481000 OA
220-230/50VAC	481000 3D
380/50-440/60VAC	481000 5P
24/60VAC	481000 B2
110-115/60VAC	481000 6J
220-240/60VAC	481000 4K
42/50-48/60VAC	481000 S7



## Housing 4538

This enclosure is dust and water proof. It corresponds to the protection degree IP67 according to IEC/EN60529. Corrosion resistant, the metallic housing offers good protection for the coil against shocks. It can be 360° orientable. This housing must be equipped with 481000 series coil.

**Material:** galvanized passivated steel - Degree of protection IP67 according to IEC/EN 60529 - Electrical connection: cable connection by cable gland according to DIN46320. Cable with outer diameter 6.5-13.5 mm (M20x1.5) can be simply sealed using a rubber gland resilient sealing rings. The enclosure is internally and externally fitted with grounding and earthing screw terminals.

## How to Order

Valve Reference Number - Housing Reference - Coil Reference - Voltage Code = Order Code

**Example: 331N34 - 4538 - 481000C2**

Valves and coils may be ordered also separately.



# Coils 32 mm / 37 mm / 40 mm for N33-N34-N35 Series ATEX Zone 2-22

Ref. 495870

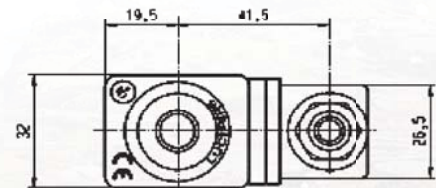
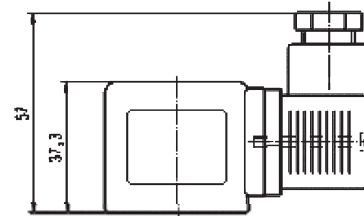
This coil with connection 2P+G - when mounted together with the supplied Pg 9 plug (delivered with the coil), is suitable for use in Gas and Dust dangerous areas (**Zone 2-22**), according to the European directive **ATEX 94/9/C**.

**Certificate LCIE 05 ATEX 6003 X - Protection mode: non sparking / limited energy solenoid**

- II 3 G - Ex nAC IIC T3 / T4
- II 3 D - Ex tD A22 IP65 - T 195°C / T 130°C



- Power: 8W (AC) 9W (DC)
- Insulation Class: F (155°C)
- Degree of Protection: IP65 (with plug)
- Duty Cycle: 100% ED
- Voltage Tolerance -10%/+10%
- Ambient temperature
  - ▶ T3 (gaz) T 195°C (dust) -40°C/+65°C
  - ▶ T4 (gaz) T 130°C (dust) -40°C/+50°C
  - ▶ The application can be limited also by the temperature range of the valve



Available Voltages	Order Code
24VDC	495870 C2
48VDC	495870 C4
110VDC	495870 C5
24/50VAC	495870 A2
48/50VAC	495870 A4
110/50VAC	495870 A5
220-230/50VAC	495870 3D



## How to Order

This coil must be used together with a housing kit which includes a nut, a plate, and a washer. Housing kit order code: **2995**

Valve Reference Number - Coil Reference - Voltage code = Order code

**Example: 331N34 - 2995 - 495870 A5**

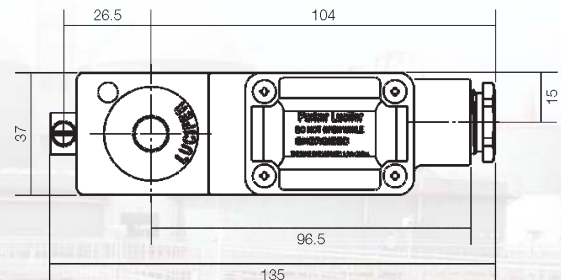
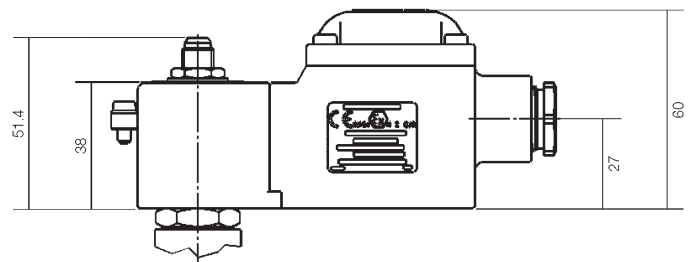
Valves and coils may be ordered also separately.

# Coils 32 mm / 37 mm / 40 mm for N33-N34-N35 Series ATEX Zone 1-21

Ref. 495905

This coil is suitable for use in Gas and Dust dangerous areas (**Zone 1-21**), according to the European directive **ATEX 94/9/C**. It's also IECEx certified according to the IECEx Scheme. **Certificate LCIE 02 ATEX 6451 X - Protection modes: Explosionproof solenoids with flameproof enclosure / encapsulation "d mb"**

- II 2 G - Ex d mb IIC T4
- II 2 D - Ex tD A21 IP67 - T 130°C
- Insulation Class H (180°C)
- Power: 8W (AC-DC)
- Degree of Protection IP67
- Duty Cycle 100%
- Voltage Tolerance -10%/+10%
- Ambient Temperature: -40°C/+65°C
  - ▶ The application can be limited also by the temperature range of the valve



Available Voltages	Order Code
24VDC	495905 C2
48VDC	495905 C4
110VDC	495905 C5
24/50VAC	495905 A2
48/50VAC	495905 A4
110/50VAC	495905 E5
220-230/50VAC	495905 3D
115/60	495905 E5
240/60	495905 B8

Electric connection is done in the connection box on an easily accessible connector terminals.  
M20x1.5 Cable gland



## How to Order

The housing kit is already included into the coil reference, so it's not needed to add it in the order code:  
Valve Reference Number - Coil Reference - Voltage code = Order code

**Example: 347N33 - 495905 C2**

Valves and coils may be ordered also separately.

# Coils 32 mm / 37 mm / 40 mm for N33-N34-N35 Series ATEX Solutions Zone 1-21

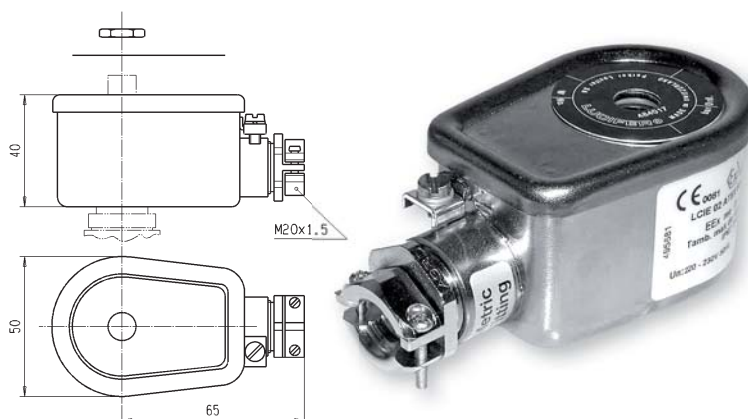
Ref. 483371 & 494040

ATEX Zone 1-21

These coils are suitable for use in Gas and Dust dangerous areas (**Zone 1-21**), according to the European directive **ATEX 94/9/C**. **Protection mode: encapsulated electrical parts with increased safety.**

Reference		483371 or HZ06	494040 or HZ23		
<b>Approval</b>		<b>LCIE 02 ATEX 6011 X</b>		<b>LCIE 02 ATEX 6013 X</b>	
<b>Type of protection</b>	Gas	II 2 G - Ex e mb II T4		II 2 G - Ex e mb II T3	
	Dust	II 2 D - Ex tD A21 T 130°C		II 2 D - Ex tD A21 T 195°C	
<b>Degree of protection</b>		IP67		IP67	
<b>Ambiant temperature</b>		-40°C to +65°C		-40°C to +90°C	
				-40°C to +65°C	
<b>Class of insulation</b>		F (155°)		H (180°)	
<b>Electrical connection</b>		By special cable gland or M20x1.5 "Ex e" on screw terminals for wires up to 1.5 mm <sup>2</sup> . Cables with outside diameter 6.5 mm to 13.5 mm can be simply sealed using the rubber gland with resilient sealing rings supplied.			
<b>Elect. Power</b>	DC Pn (hot)	8 W		8 W	
	P (cold) 20°C	9 W		9 W	
	AC Pn (holding)	8 W		8 W	
		32 VA (9 W)		32 VA (9 W)	
<b>Voltage tolerance</b>		Tolerance -10/ +10% of the nominal voltage			
<b>Solenoid duty</b>		Continuous duty solenoid (ED 100%)			

Available Voltages	Order Code	Order Code
6VDC	483371 C0	-
12VDC	483371 C1	-
24VDC	483371 C2	494040 C2
36VDC	483371 C3	-
48VDC	483371 C4	-
60VDC	483371 M3	-
110VDC	483371 C5	-
125VDC	483371 3N	494040 3N
220VDC	483371 C7	494040 C7
12/50VAC	483371 A1	-
24/50VAC	483371 A2	494040 A2
48/50VAC	483371 A4	-
110-115/50VAC	483371 0A	494040 0A
220-230/50	483371 3D	494040 3D
24/60VAC	483371 B2	-
110-115/60VAC	483371 6J	-
220-240/60VAC	483371 4K	-
380/50-440/60VAC	-	494040 5P



**Fuses:** Both electrical 483371... and 494040... parts have to be connected in series with a safety fuse according to CEI 60127-3.

#### 483371...

DC: 24V / 400mA - 48V / 250mA  
110V / 100mA

AC: 24V / 630mA - 48V / 315mA  
110/115V / 160mA  
220/230V / 80mA

#### 494040...

DC: 24V / 400mA - 125V / 80mA  
48V / 220V - 63mA

AC: 24V / 630mA - 48V / 315mA  
110/115V / 160mA  
220/230V / 80mA

## How to Order

The housing kit is already included into the coil reference, so it's not needed to add it in the order code:

Valve Reference Number - Coil Reference - Voltage code = Order code

**Example: 347N33 - 483371C2**

Valves and coils may be ordered also separately.