

# Hand Valve HV Series

4/3 Way (Closed Center)

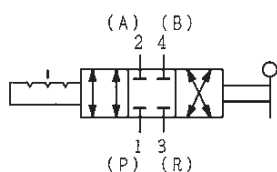
HV4200-8 (Port size Rc $\frac{1}{4}$ )

HV4400-10 (Port size Rc $\frac{3}{8}$ )

HV4400-15 (Port size Rc $\frac{1}{2}$ )



Symbol

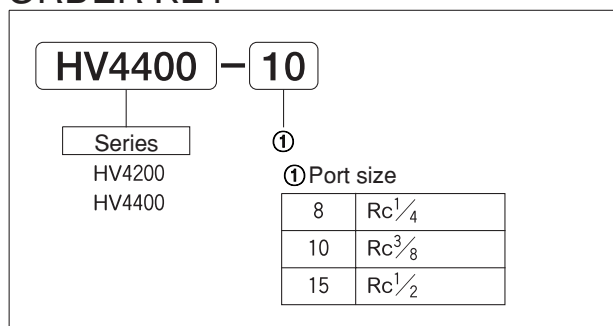


## Specifications

Model	Unit	HV4200	HV4400	
Port size		Rc $\frac{1}{4}$	Rc $\frac{3}{8}$	Rc $\frac{1}{2}$
Effective area	mm <sup>2</sup>	9.2	25.8	27.7
Fluid		Non-lubricated/lubricated air		
Pressure range	MPa	0~1		
Temperature range	°C	-5~60		
Weight	g	370	600	

(Note) Special care should be taken for freezing when operating at temperature below 5 .

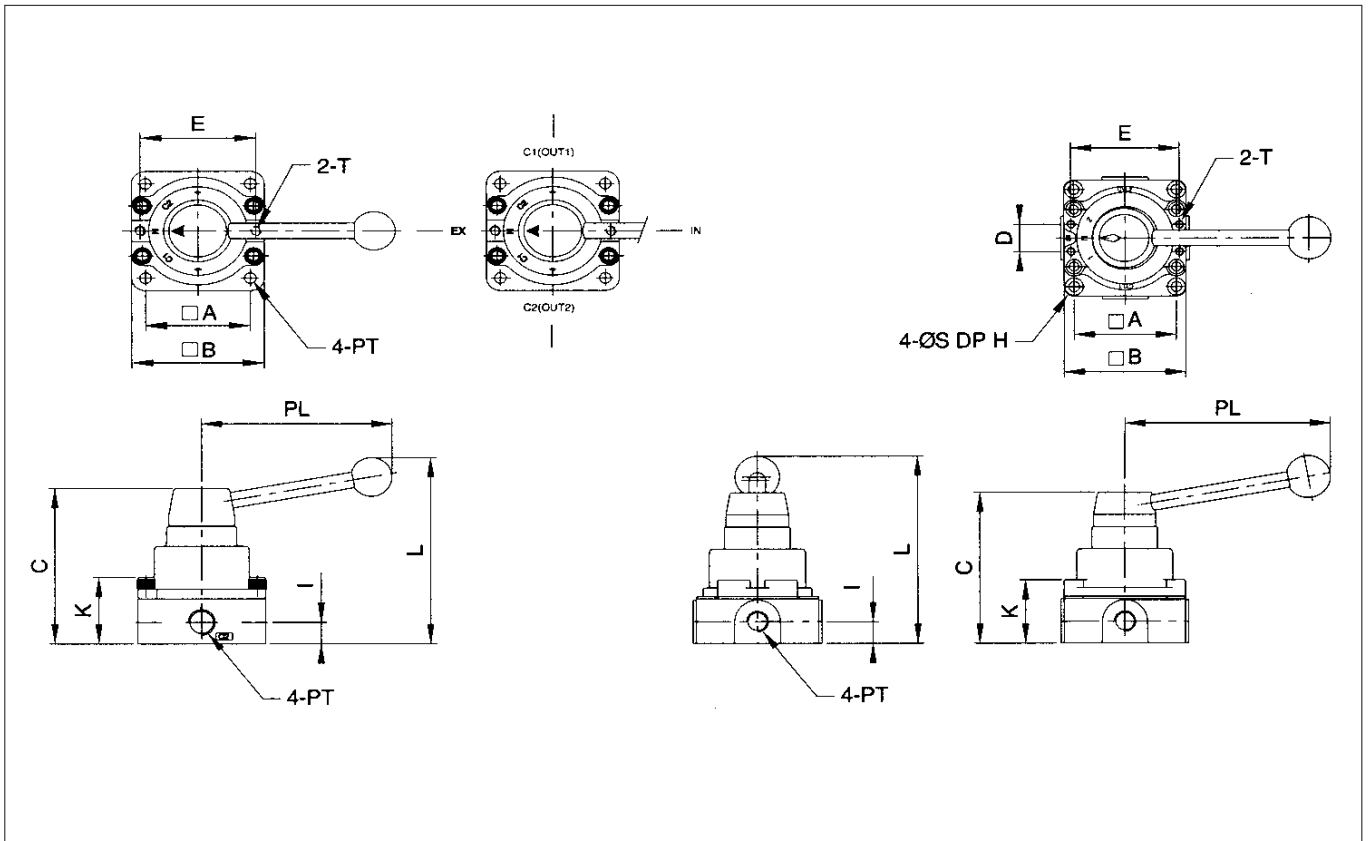
## ORDER KEY



# HV Series

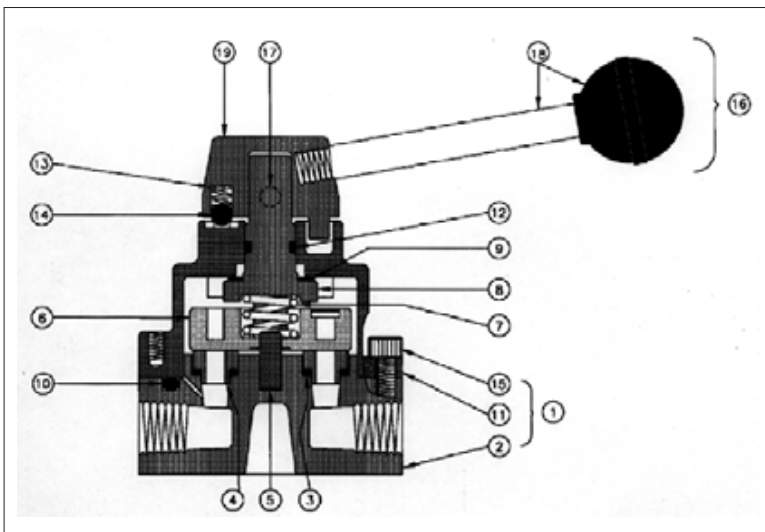
## Dimensions

(Unit : mm)



Model	A	B	C	D	E	H	I	K	L	PL	PT	φS	T
HV4200-8	49	62	79	-	54	-	11	33	97.5	95	Rc 1/4	5.5	M5 × 0.8
HV4400-10	62	74	97	17.6	65.5	5.5	13.9	40	114.5	124	Rc 3/8	6.5	M5 × 0.8
HV4400-15											Rc 1/2		

## Constructions



NO	Description	Material
1	Body assembly	-
2	Valve body	Alluminium die casting
3	Valve seat	Polyurethan
4	seal O-ring	NBR
5	Center bar	Brass
6	Disk (Slide)	Alluminium die casting
7	Disk spring	Stainless steel
8	Stem (Shaft)	Zinc alloy
9	Stem washer	Phosphor bronze
10	Body gasket	NBR
11	Body cover	Alluminium die casting
12	Stem O-ring	NBR
13	Ball spring	Stainless steel
14	Steal ball	Bearing steel
15	Bolt	Carbon tool steel
16	Lever assembly	-
17	Lever screw	Carbon tool steel
18	Lever bar assembly	-
19	Head	Alluminium die casting