

# AUTOMA 5/2-WAY SOLENOID VALVE

ASF4101 - Single Solenoid

ASF4200 - Double Solenoid

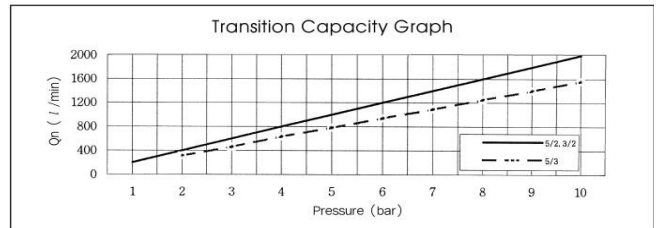
## FEATURES



- Compact Design 26mm Body Width

### SPECIFICATION

ITEM	SERIES	SOLENOID, PNEUMATIC	
	FUNCTION	5, 3 Port 2 Position	5 Port 3 Position
Fluids	Compressed Air & Inert Gases		
Pressure(bar)	1.5~10.0	2.0~10.0	
Eff. Section Area(mm <sup>2</sup> )-5bar	19.0	11.5	
Ambient & Fluid Temp.	5~60°C (41~140°F)		
Response Time(5bar)	25ms or Less	35ms or Less	
Max. Working Frequency	5c/sec	3c/sec	
Lubrication	Not Required(Use ISO VG32#)		
Manual Override	Push Button(Standard), Lever Lock(Option)		
Coil Insulation Class	F-Class or Equivalent		
Permissible Voltage Variation	±10% of Rated Voltage		
Off Min. Residual Voltage	AC:20% or Less / DC:10% or Less		
Power Consumption	Holding-AC:5.5VA(60Hz) / DC:2.5W		



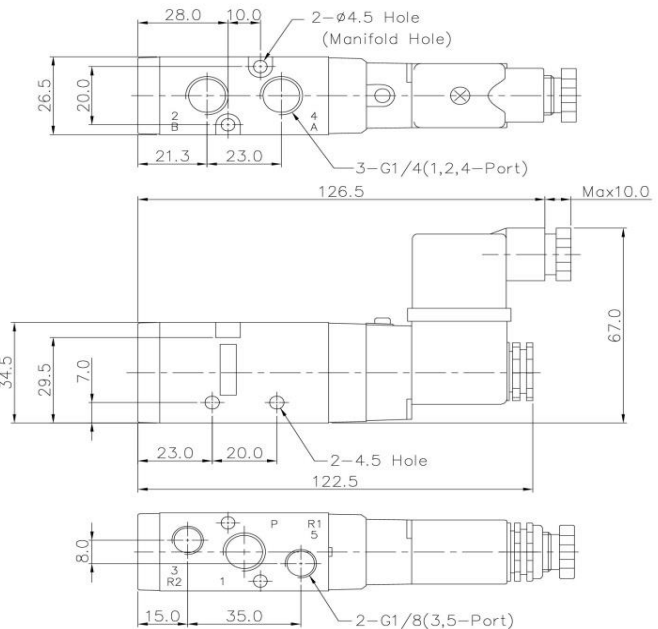
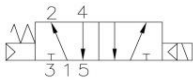
#### The Material of Parts

■ Valve Body : Die-Cast Aluminium	■ Pilot Parts : Glass Filled Nylon
■ Spool : Aluminium	■ Armature : Stainless Steel
■ Seals : NBR	■ Armature Seals : Viton
■ Spring : Stainless	
■ Cap : Zinc Pressure Die-Cast	

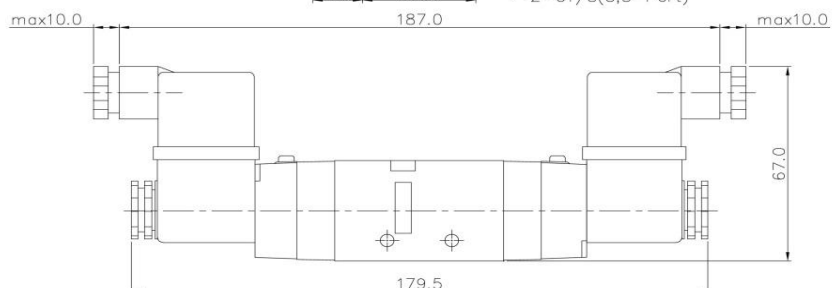
\* The specification on each item can be amended without any prenotice to improve a performance.  
 \* The specification on each item can be different from actual specification.

## 5Port 2Position Solenoid Valve

Single Solenoid



Double Solenoid



## FEATURES

- Encapsulation with high quality specially designed glass filled nylon

Characteristics		DC			AC (50 Hz)		AC (60 Hz)	
Rated power DC	W	3	4,2	6,5				
Inrush power AC	VA				7,5	12,5	6,5	10,5
Rated power AC	VA				5	8,5	4,2	7
Coil temperature rise	°C	35	45	70	45	85	35	70
Copper temperature rise	°C	40	50	80	55	95	45	80

Available Voltages	
DC	
12	24/50-60 VAC
24	
48	
110	230/50-60 VAC

