

AUTOMA LIMIT-SWITCH-BOX



Valve Position Indicator

Limit switch box indicator offers clear location of the current valve position by 2 mechanical switches

Quick-Set Cam

The operating position of the switches can be easily changed by adjusting the high resolution spline cams manually and independently without the need for additional tools (Red Cam for Close, Yellow Cam for Open)

Easy Wiring

ALS series are equipped with 2 standard conduit entries and 1 terminal strip with 8 point

Dual Wire Conduit

ALS10 : Dual 1/2" Conduit Entries
ALS30 : Dual 3/4" Conduit Entries

Easy Mounting Bracket

Any actuator for rotary motion can be easily mounted NAMUR bracket supplied for easy in mounting onto the actuator



ALS10
WEATHERPROOF



ALS30
EXPLOSION PROOF

Ordering Number

Series	Area Classification	Switch Type
ALS	1: Weatherproof	0: 2 SPDT
	3: Explosion Proof	1: Proximity Sensor (PNP/NPN)
		2: 3 SPDT
		3: 4 SPDT (2 DPDT)

Standard Materials of Construction

Area Classification	Material
Indicator Cover	Polycarbonate
Body	Die-Casting Aluminum
Shaft (Stem)	304 Stainless Steel
Mechanical Switch	PBT GP2306F
Seals	Nitrilic Rubber NBR
Cams	Polycarbonate
Spring	304 Stainless Steel
Cover Screws	304 Stainless Steel
Terminal Block	Polyamide 66

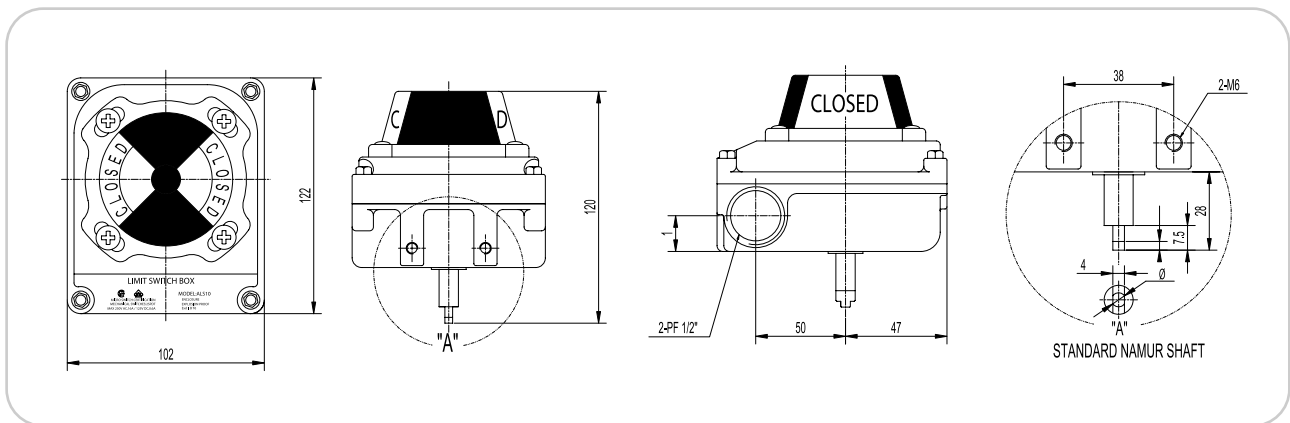
Specification

Description	Series	
	Model	ALS10
Ambient Temperature	-20°C to 85°C (-4°F to 185°F)	
Cable Entry	2×1/2" PF (PT) (NPT) (M20×1P/1.5P)	2×3/4" PF (PT) (NPT)
Terminal Block	8 Points	
Position Indicator	0° to 90° (Red for Close / Yellow for Open)	
Switch Type	2 SPDT Mechanical Switches (Proximity Sensors)	
Painting	Polyester Powder Coating with Black Color	
Bracket	Plastic / Steel	
Certificate	IP 68	Ex d IIC T6 - IP67

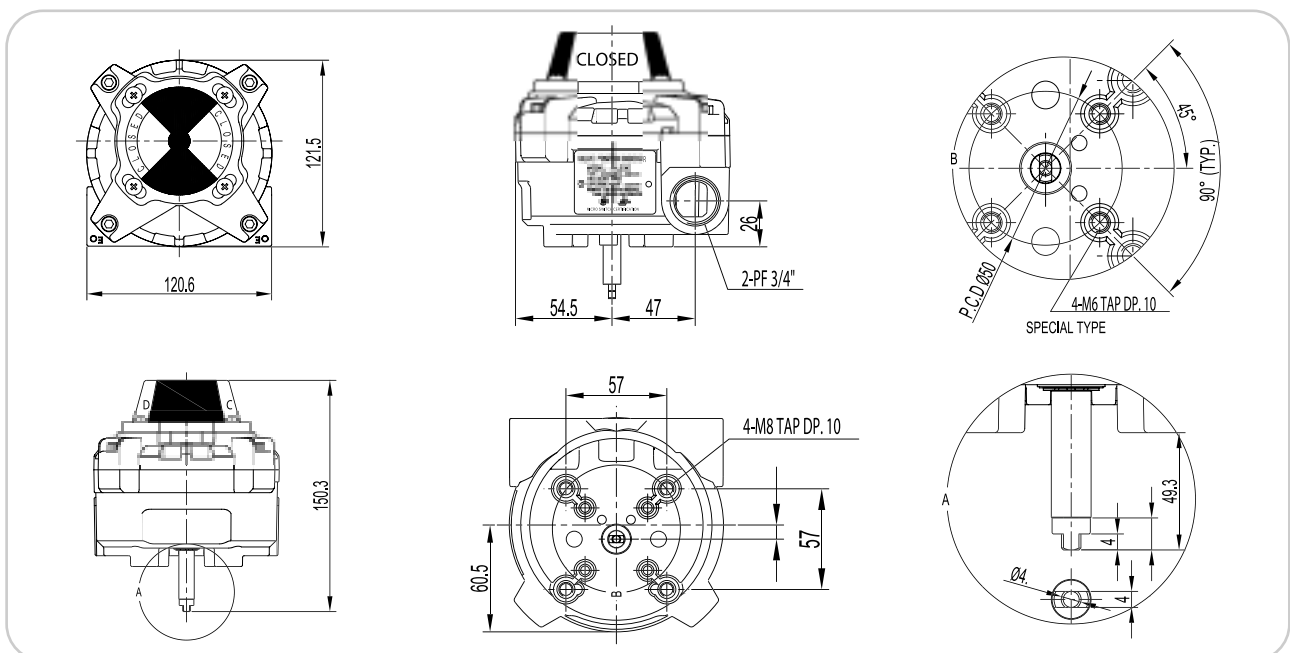
* () option

Dimension

ALS10 Weatherprof








ALS30 Explosion Proof



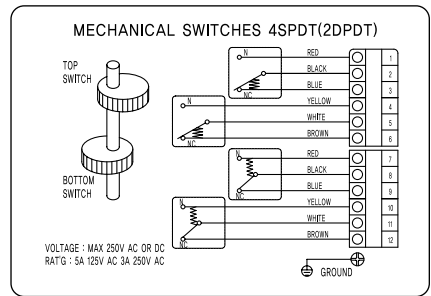
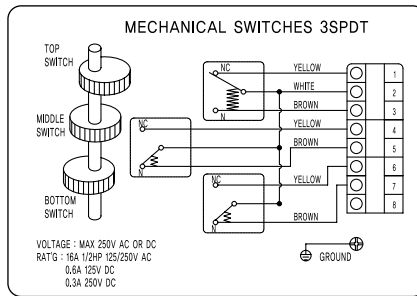
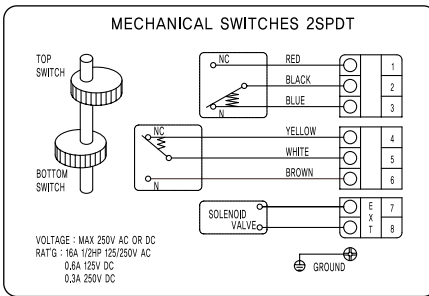
Mounting Bracket

1 Namur standard bracket is supplied together with 1 limit switch box as standard

Bracket	Model	Material	Size	Bracket	Model	Material	Size
	P1 (ALS10)	Plastic (ABS)	30×80 H:20		S4 (ALS30)	Steel	30×80 H:30
	S1 (ALS10)	Steel	30×38 H:20~30		A1 (ALS30)	Aluminium	30×80 H:20
	S2 (ALS30)	Steel	30×80 H:20		A2 (ALS30)	Aluminium	30×80 H:30
	S3 (ALS30)	Steel	30×130 H:30		A3 (ALS30)	Aluminium	30×130 H:30

Wiring Diagram

Mechanical Switch Type (UL CSA VDE Approved)



Proximity Sensor Type (UL CE Approved)

