

# PLASTIC BALL VALVE – DOUBLE ACTING

## ● Fluid Temperature and Range of Corrosion Resistance

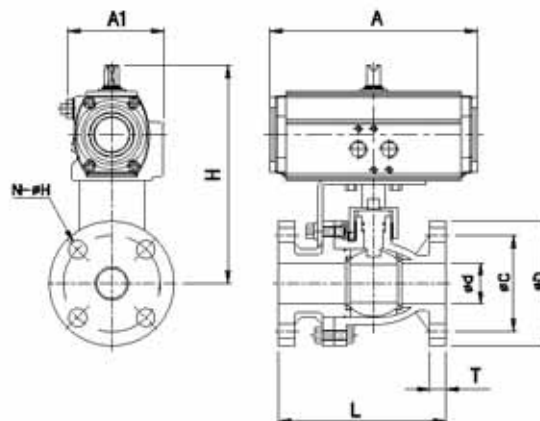
	Fluid Temperature (°C)								Range of Corrosion Resistance							
	-40	-20	-10	60	90	100	105	120~140	Weak Acid	Strong Acid	Oxidative Acid	Mixed Acid	Weak Alkali	Strong Alkali	Organic Solvent	Erosive Gas
PVC	X	X	△	○	△	X	X	X	○	○	○	○	○	○	X	○
PP	X	○	○	○	○	△	X	X	○	○	△	△	○	○	△	○
PPG	X	○	○	○	○	○	○	○	○	○	○	○	○	○	○	○
C-PVC	X	○	○	○	○	X	X	X	○	○	○	○	○	○	○	○
PVDF	○	○	○	○	○	○	○	○	○	○	○	○	○	○	○	○

※ ○ : Usable △ : According to Circumstances X : Unfit

## ● Specification

Valve Size	15A ~ 150A	
Actuator Model	AD50 ~ AD125	
Actuator Type	Double Acting	
Operating Media	Compressed Dry Air	
Operating Pressure	4 ~ 7kg/cm <sup>2</sup>	
Rotating Angle	90° ±5°	
Fluid Temperature	-10°C ~ 90°C (-40°C ~ 140°C)	
Rating	JIS 10K	ANSI 150#
Body Material	PP, C-PVC, PVDF	
Accessory	Solenoid Valve, Limit Switch Box, Air filter Regulator, E/P Positioner	

※ ( ) Option



## ● Dimension

(mm)

Model	Size		A	A1	H (Approx)	L	END CONNECTION (JIS 10K FF)				
	mm	inch					T	ød	øC	øD	N-øH
AD50-15F	15A	1/2"	162	75	168	145	14	15	70	95	4-15
AD50-20F	20A	3/4"	162	75	177	150	15	20	75	100	4-15
AD50-25F	25A	1"	162	75	190	170	15	25	90	125	4-19
AD50-30F	30A	1-1/4"	162	75	200	175	16	30	100	135	4-19
AD65-40F	40A	1-1/2"	202	89	212	190	16	40	105	140	4-19
AD65-50F	50A	2"	202	89	227	210	16	50	120	155	4-19
AD65-65F	65A	2-1/2"	202	89	247	260	18	65	140	175	4-19
AD80-80F	80A	3"	262	101	276	265	18	75	150	185	8-19
AD80-100F	100A	4"	262	101	301	300	18	100	175	210	8-19
AD100-125F	125A	5"	311	129	358	360	20	125	210	250	8-23
AD125-150F	150A	6"	390	151	414	360	22	150	240	280	8-23