

ELECTRIC 1 PIECE BALL VALVE

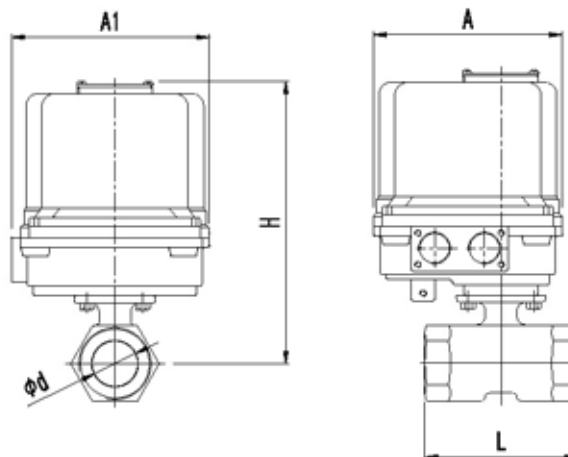


● Application

- Water Distribution pipes.
- Industrial Cleaning Machines.
- Sterilizers, Boilers
- Air Conditioners , Water Filters
- Medical Equipments, Vacuum Packing

● Specification

Valve Size	10A(3/8")	15A(1/2")	20A(3/4")	25A(1")	32A(1-1/4")	40A(1-1/2")	50A(2")
Actuator Model	ATM0020				ATM0040		
Actuator Type	Electric						
Electrical	AC110V, 220V						
Output Torque	25Nm				40Nm		
Operating time	11/50Hz, 60Hz				14/50Hz, 12/60Hz		
Operating Type	ON-OFF						
Rotating Angle	90° ±5°				90° ±10°		
Fluid Temp	-10°C ~ +65°C				-20°C ~ +70°C		
Rating	1000Psi						
Body Material	SUS316 / body			SUS316 / ball		PTFE / seat	



● Dimension

Model	Size		Motor		H (APPROX.)	L	END CONNECTION(PT SCREW)
			A	A1			ød
ATM0020-10S1	10A	3/8"	89.4	109.7	156.5	45	7.7
ATM0020-15S1	15A	1/2"	89.4	109.7	168.5	56.5	9.2
ATM0020-20S1	20A	3/4"	89.4	109.7	188.5	59	12.5
ATM0020-25S1	25A	1"	89.4	109.7	192.5	71	15
ATM0040-32S1	32A	1-1/4"	113.5	121.8	200	78	20
ATM0040-40S1	40A	1-1/2"	113.5	121.8	200	83	25
ATM0040-50S1	50A	2"	113.5	121.8	200	100	32