

PNEUMATIC CYLINDER Y-TYPE VALVE

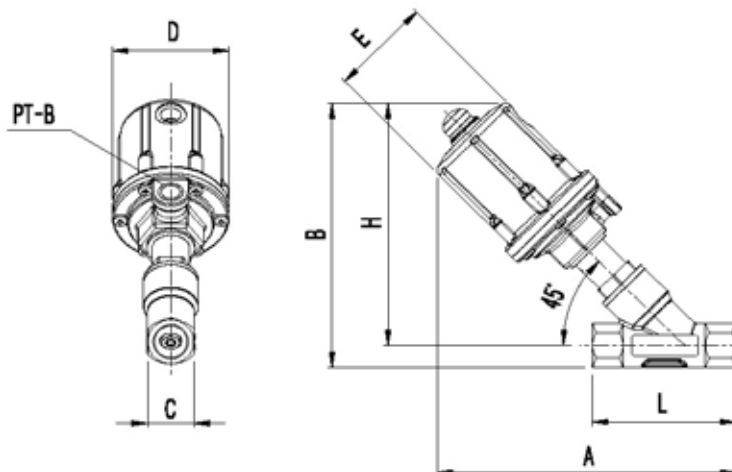


● Application

- Water distribution pipes
- Industrial cleaning machines
- Dyeing machine temperature control
- Middle and low stem equipments control
- Well water and wastewater disposal plant

● Specification

Valve Size	15A ~ 50A	
Actuator Type	Cylinder Type	
Actuator Action	Single Acting (Spring Return)	
Operating Media	Compressed Dry Air	
Operating Press	4.5 ~ 7kg/cm ²	
Liner Adjust	None Manual Handle	
Fluid Temp	Valve: -10°C ~ 180°C	
End Connection	Female thread, socket welding	Flanged type(Optional)
Body Material	SCS14	
Leakage allowance	ANSI Class VI	
Accessory	Limit Switch, Air filter Regulator	



● Dimension

END CONNECTION : PT SCREW(mm)

Model	Size	E	A	B	C	D	H	L	PT-B
AGV-15Y	15A 1/2"	∅50	174.5	158	27	∅68	144.5	84	1/4"
AGV-20Y	20A 3/4"	∅50	182	163.5	34	∅68	146.5	94	1/4"
AGV-25Y	25A 1"	∅63	211	192.5	40	∅84	172.5	104	1/4"
AGV-32Y	32A 1-1/4"	∅63	225	211.5	49	∅84	187	120	1/4"
AGV-40Y	40A 1-1/2"	∅80	252	238.5	55	∅105	211	130	1/4"
AGV-50Y	50A 2"	∅80	275	267	70	∅105	232	150	1/4"