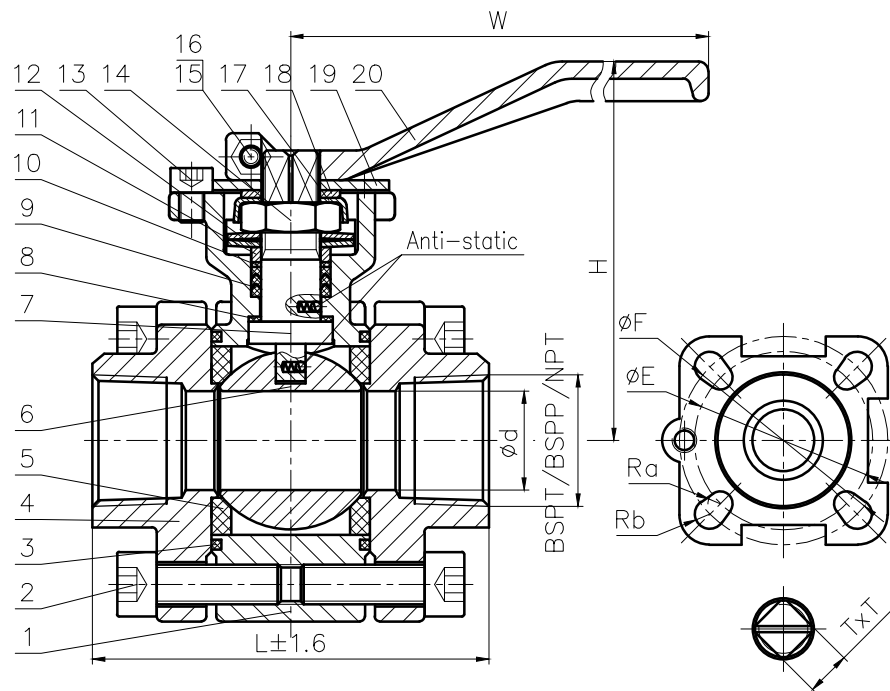


Nominal pressure		2000Psi				
Test pressure	Shell test	20.7	Test medium	Water	Test temperature	Normal temperature
	Seal test	15.2		Air		
	Gas seal test	0.6				
Applicable medium		Water,Oil,Gas				
Applicable temperature		-29-180°C				



20	HANDLE	1	STAINLESS STEEL
19	STOPPER	1	SS304
18	WASHER	1	SS304
17	LOCATOR	1	SS304
16	NUT	1	A194 8M
15	HEXAGON HEAD BOLT	1	A193 B8M
14	NUT	1	A194 8M
13	HEXAGON HEAD BOLT	1	A193 B8M
12	BUTTERFLY SPRING	2	SS304
11	GLAND	1	SS304
10	GRAPHITE PACKING	1	GRAPHITE
9	PACKING	-	RPTFE
8	STEM WASHER	1	RPTFE
7	STEM	1	A276 316
6	BALL	1	SS316
5	SEAT	2	RPTFE
4	BONNET	2	A351 CF8M
3	GASKET	2	RPTFE
2	HEXAGON SOCKET BOLT	-	A193 B8M
1	BODY	1	A351 CF8M

SIZE	L	d	BSPT/BSPP/NPT	W	H	E	F	Ra	Rb	TXT
DN8	65	8	1/4	130	68.5	36	42	3	3	9X9
DN10	65	10	3/8	130	68.5	36	42	3	3	9X9
DN15	75	14	1/2	130	68.5	36	42	3	3	9X9
DN20	80	20		130	78.8	36	42	3	3	9X9
DN25	90	25	1	150	88.5	42	50	3	3.5	11X11
DN32	110	32	1 ¼	150	90.5	42	50	3	3.5	11X11
DN40	120	40	1 ½	200	101.5	50	70	3.5	4.5	14X14
DN50	140	50	2	200	109	50	70	3.5	4.5	14X14

NOTE:

- Design and Manufacture for valve according to ASME B16.34.
- Inspection and Test for valve according to API 598.
- The connection of screwed for valve according to ISO 7/1 or ANSI B1.20.1.

NO.	DESCRIPTION	QTY	AT391B			
			MATERIAL			
			GENERAL DRAWING			
			3PC SCREWED END BALL VALVE			
			AT391B			
MARK	BEFORE MODIFIED	AFTER MODIFIED	DATE			
DRA.		APP.	SCALE			
CHK.		DATE				