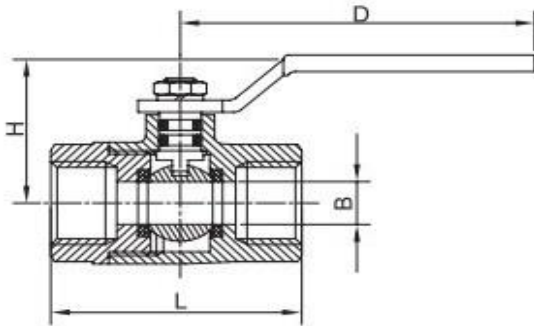


BRASS BALL VALVE

SERIES AT8101

Nominal Pressure: PN25
Medium: Water, oil, air, non-corrosive fluids & fluids compatible to the "material of construction"
Temperature: -20°C to 110°C
Pipe thread: According to ISO 228/1



Material of construction:

Parts	Material
Body	Nickel plated brass
Ball	Chrome plated brass
Stem	Brass
Seat	PTFE
Packing	PTFE
Sealing	PTFE
Handle	Steel with plastic vinyl

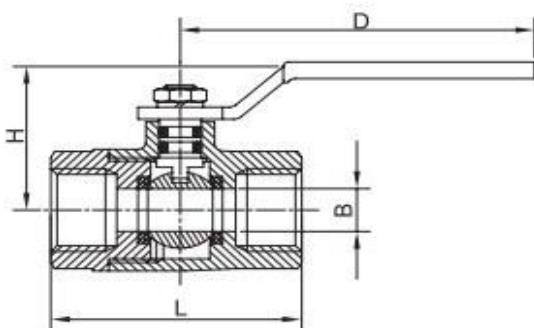
Size	1/2"	3/4"	1"	1-1/4"	1-1/2"	2"	2-1/2"	3"	4"
L	50.0	57.0	67.5	80.0	86.0	102.0	134.0	160.0	188.0
H	41.0	47.0	54.0	66.0	75.0	88.0	110.0	112.0	130.0
D	85.0	85.0	105.0	120.0	135.0	160.0	200.0	200.0	200.0
B	14.0	19.0	24.0	31.0	38.0	48.0	63.0	73.0	98.0

The specification and dimensions are subject to change without prior notice!

BRASS BALL VALVE

SERIES AT8102

Nominal Pressure: PN25
Medium: Water, oil, air, non-corrosive fluids & fluids compatible to the "material of construction"
Temperature: -20°C to 110°C
Pipe thread: According to ISO 228/1



Material of construction:

Parts	Material
Body	Brass
Ball	Brass
Stem	Brass
Seat	PTFE
Packing	PTFE
Sealing	PTFE
Handle	Steel with plastic vinyl

Size	1/2"	3/4"	1"	1-1/4"	1-1/2"	2"	2-1/2"	3"	4"
L	50.0	57.0	67.5	80.0	86.0	102.0	134.0	160.0	188.0
H	41.0	47.0	54.0	66.0	75.0	88.0	110.0	112.0	130.0
D	85.0	85.0	105.0	120.0	135.0	160.0	200.0	200.0	200.0
B	14.0	19.0	24.0	31.0	38.0	48.0	63.0	73.0	98.0

The specification and dimensions are subject to change without prior notice!