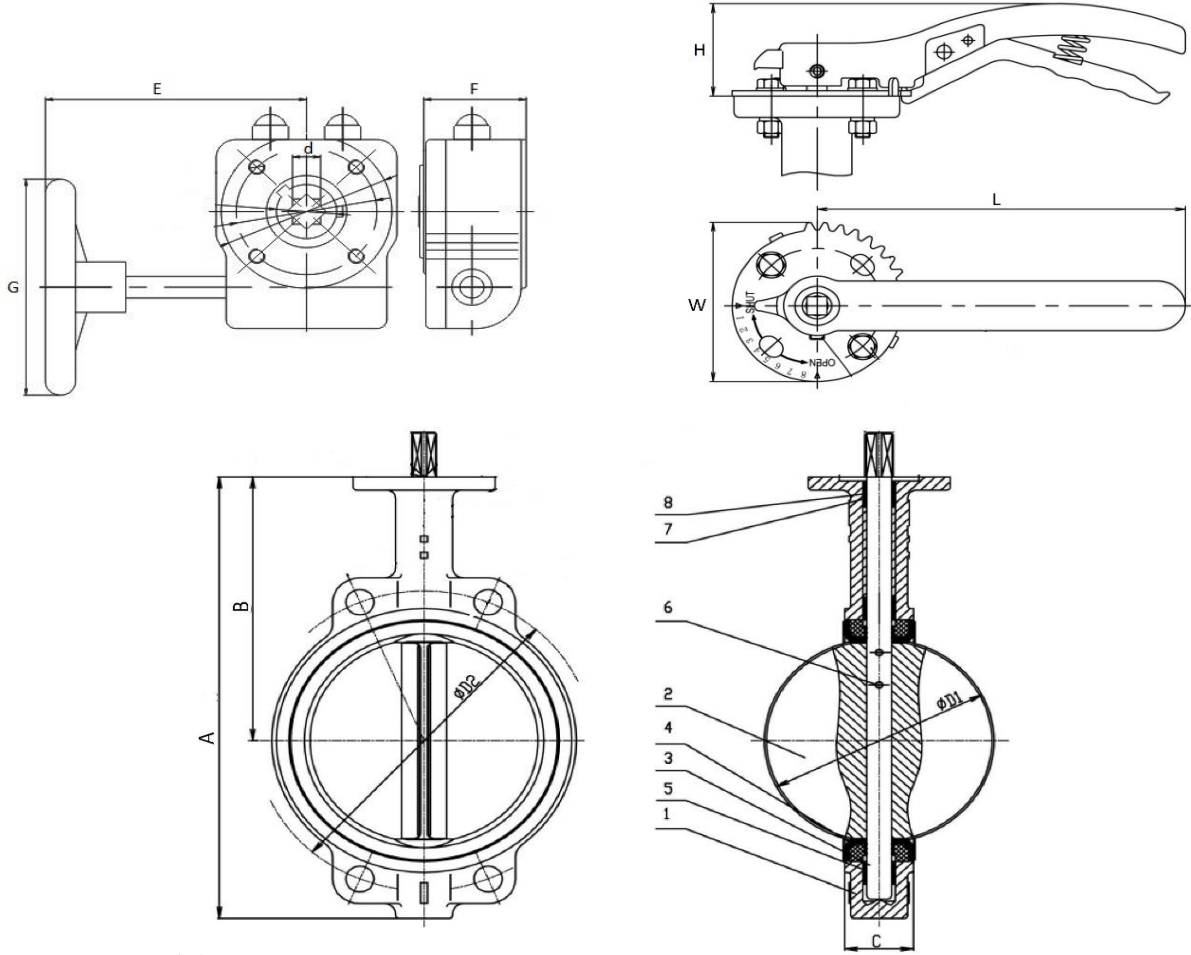


TYPE: ACE  
 CAST IRON WAFER TYPE BUTTERFLY VALVE  
 UNIVERSAL FLANGE ANSI-150 / PN16 / JIS-10K



DIMENSIONS:

SIZE	DN	A	B	C	Ø D1	Ø D2	d	E	F	G	H	L	W
2"	50	241	161	42.0	52.9	120.6	9	160	48	140	45	175	76
2-1/2"	65	264	175	44.7	64.5	139.7	9	160	48	140	45	175	76
3"	80	271	181	45.2	78.8	152.4	11	160	48	140	45	175	76
4"	100	314	200	52.1	104.3	190.5	11	160	48	140	50	200	98
5"	125	340	213	54.4	123.3	255.9	14	160	48	140	65	264	98
6"	150	365	226	55.8	156	241.3	14	160	48	140	65	264	98
8"	200	435	260	60.6	202.5	298.4	17	215	56	250	70	355	160
10"	250	495	292	65.6	250.8	361.9	22	225	69	300	70	355	160
12"	300	579	337	76.9	301.6	431.8	22	225	69	300	70	355	160

NO.	PART NAME	MATERIAL		
1	Body	Cast iron		
2	Disc	Ductile iron		
3	Shaft	SS416		
4	Seat	EPDM		
5	Bushing	PTFE		
6	Pin	SS416		
7	Bushing	PTFE		
8	O-ring	EPDM		
PRESSURE TEST	Shell Test	24 bar		
	Seat Test	17.6 bar		
	Air Test	6 bar		
MANUFACTURE STANDARD	Valve Design	BS EN593		
	Valve Test	BS EN12266-1 / API 598		
	End Flange	ANSI-125/150 PN10/16 JIS10K		
	Face to Face	BS EN558-1		
	Top Flange	ISO 5211		
	Pressure Rating	PN 16		
	Temperature	-15 ~ 110 °C		
Drawing No.		Type	Date	By
A11004		ACE	2015.05.30	AT
				Rev. No.
				02
TTS VALVE TECHNOLOGIES SDN BHD				