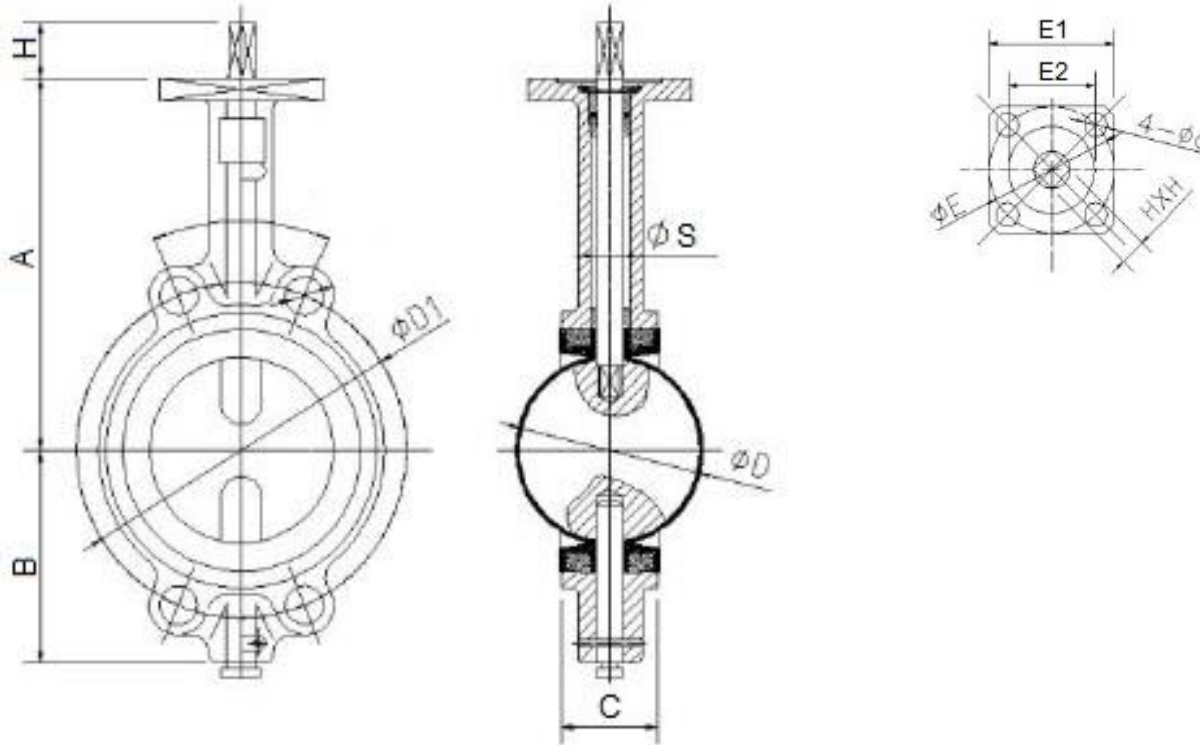


TYPE: ACT / ACU  
 CAST IRON WAFER TYPE BUTTERFLY VALVE  
 UNIVERSAL FLANGE ANSI-150 / PN16 / JIS-10K



DIMENSIONS:

SIZE	DN	A	B	C	H	Ø D	Ø S	Ø E	E1	E2	HxH	4-Ød
1-1/2"	40	138	75	33	25	42.6	12.6	F05-50	50	35	9x9	4-7
2"	50	161	80	43	25	52.6	12.6	F05-50	50	35	9x9	4-7
2-1/2"	65	175	89	46	25	64.3	12.6	F05-50	50	35	9x9	4-7
3"	80	181	95	46	25	78.8	15.77	F05-50	50	35	11x11	4-7
4"	100	200	114	52	25	104	15.77	F07-70	70	55	11x11	4-10
5"	125	215	127	56	35	123.3	18.92	F07-70	70	55	14x14	4-10
6"	150	226	139	56	35	155.7	18.92	F07-70	70	55	14x14	4-10
8"	200	260	175	60	35	202.6	22.1	F07-70	70	55	17x17	4-10
10"	250	292	203	68	35	250.4	28.45	F10-102	102	70	22x22	4-12
12"	300	337	242	78	25	301.5	31.6	F10-102	102	70	22x22	4-12
14"	350	368	267	78	25	333.3	31.6	F10-102	102	70	22x22	4-12
16"	400	400	309	102	25	389.6	37.95	F14-140	140	100	27x27	4-18

NO.	PART NAME	ACT	ACU
1	Body	GG25	GG25
2	Disc	PTFE COATING	CF8M
3	Stem	SS416	SS416
4	Seat	PTFE	PTFE
5	Bushing	PTFE	PTFE
PRESSURE TEST	Shell Test	15 bar	
	Seat Test	11 bar	
	Air Test	6 bar	
MANUFACTURE STANDARD	Valve Design	BS EN593	
	Valve Test	BS EN12266-1 / API 598	
	End Flange	ANSI-150 PN16 JIS10K	
	Face to Face	BS EN558-1	
	Top Flange	ISO 5211	
	Pressure Rating	PN 10	
	Temperature	-15 ~ 150 °C	
Drawing No.		Type	Date
A11007		ACT / ACU	2015.05.30
UNIVERSAL FLANGE ANSI-150 / PN16 / JIS-10K			By
TTS VALVE TECHNOLOGIES SDN BHD			AT
			Rev. No.
			2