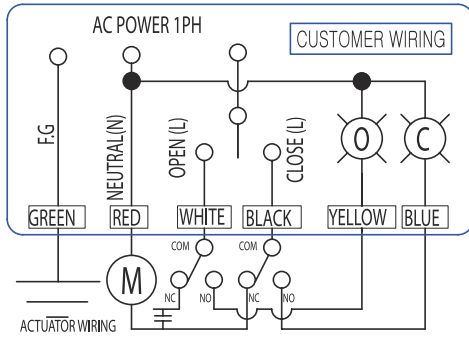


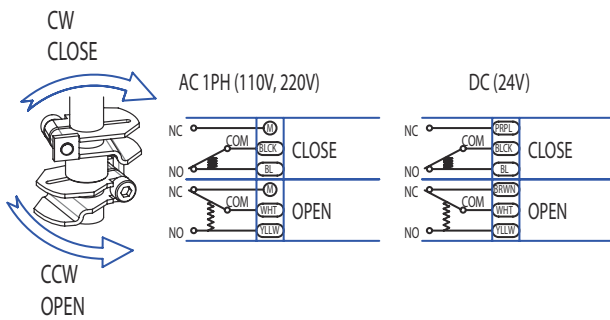
Wiring

KE002

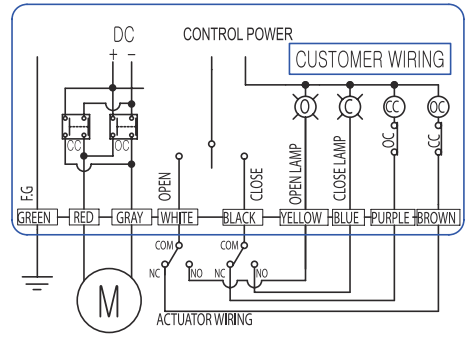
AC 1PH



SWITCH WIRING (POSITION : FULL CLOSE)



DC 24V

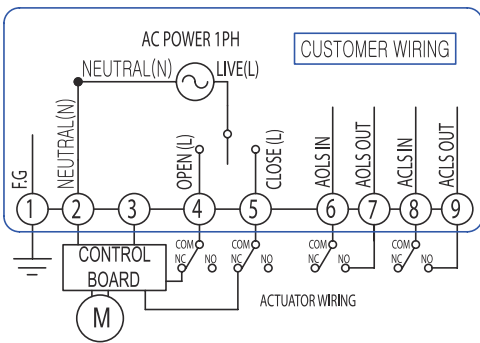


LIMIT SWITCH OPERATION

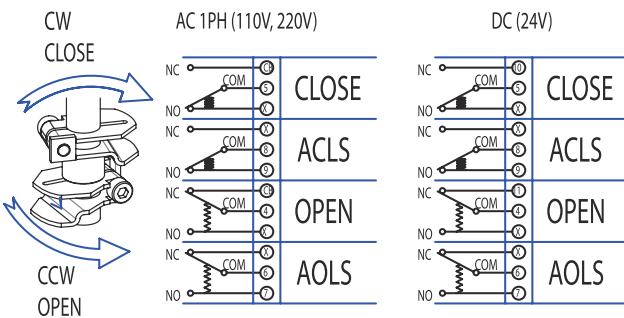
SWITCH	CLOSE	← INTERMEDIATE	→ OPEN
CLS COM-NC		█	
CLS COM-NO	█		
OLS COM-NC			█
OLS COM-NO			█

KE004/KE006

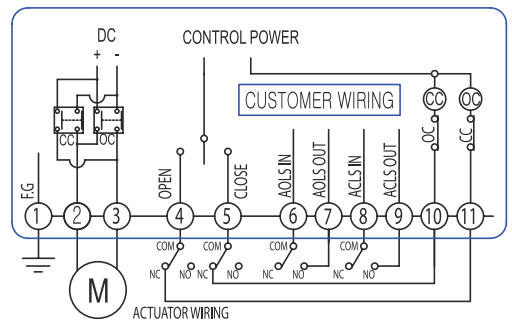
AC 1PH



SWITCH WIRING (POSITION : FULL CLOSE)



DC 24V

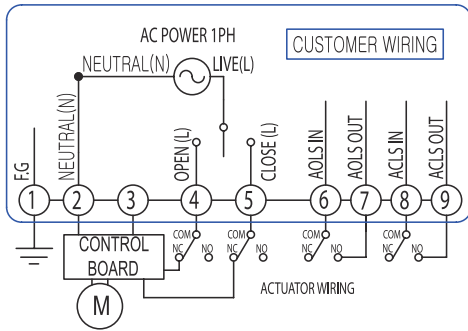


LIMIT SWITCH OPERATION

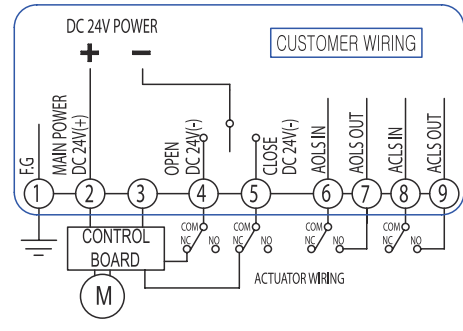
SWITCH	CLOSE	← INTERMEDIATE	→ OPEN
CLS COM-NC		█	
CLS COM-NO	█		
ACLS COM-NC			█
ACLS COM-NO	█		
OLS COM-NC			█
OLS COM-NO			█
AOLS COM-NC		█	
AOLS COM-NO	█		

KE005

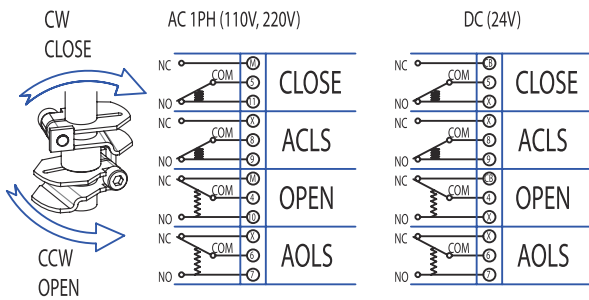
▶ AC 1PH



▶ DC 24V



▶ SWITCH WIRING (POSITION : FULL CLOSE)

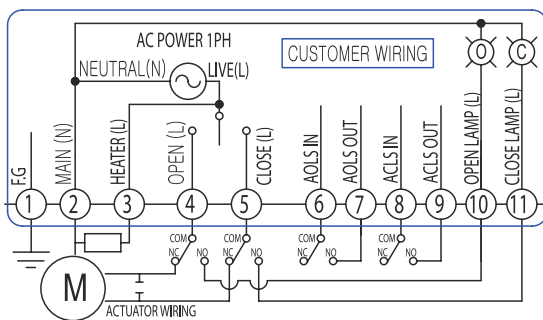


▶ LIMIT SWITCH OPERATION

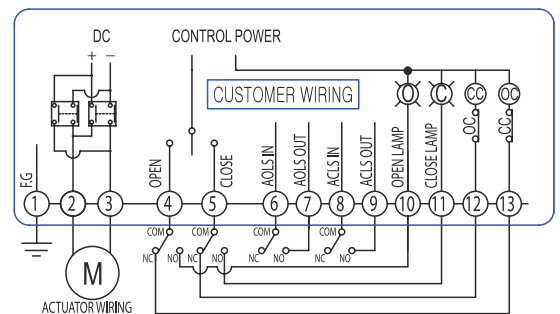
SWITCH	CLOSE	← INTERMEDIATE	→ OPEN
CLS COM-NC	█	█	█
CLS COM-NO	█	█	█
ACLS COM-NC	█	█	█
ACLS COM-NO	█	█	█
OLS COM-NC	█	█	█
OLS COM-NO	█	█	█
AOLS COM-NC	█	█	█
AOLS COM-NO	█	█	█

KE008

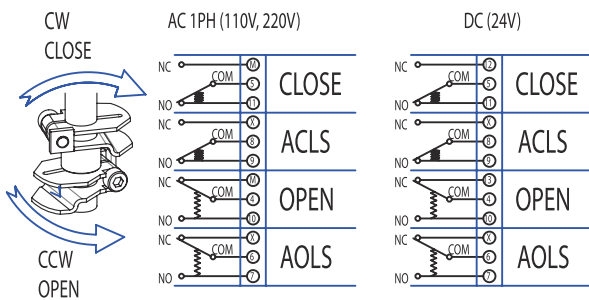
▶ AC 1PH



▶ DC 24V



▶ SWITCH WIRING (POSITION : FULL CLOSE)



▶ LIMIT SWITCH OPERATION

SWITCH	CLOSE	← INTERMEDIATE	→ OPEN
CLS COM-NC	█	█	█
CLS COM-NO	█	█	█
ACLS COM-NC	█	█	█
ACLS COM-NO	█	█	█
OLS COM-NC	█	█	█
OLS COM-NO	█	█	█
AOLS COM-NC	█	█	█
AOLS COM-NO	█	█	█