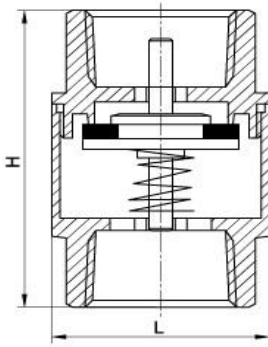


BRASS SPRING-CHECK VALVE

SERIES AB413

Nominal Pressure: PN 16
Medium: Water, non-corrosive fluids, steam & fluids compatible to the "material of construction"
Temperature: -20°C to 150°C
Pipe thread: According to ISO 228/1



Material of construction:

Parts	Material
Body	Brass
Bonnet	Brass
Disc	Brass
Stem	Brass
Spring	Brass
Seat	Silicon rubber

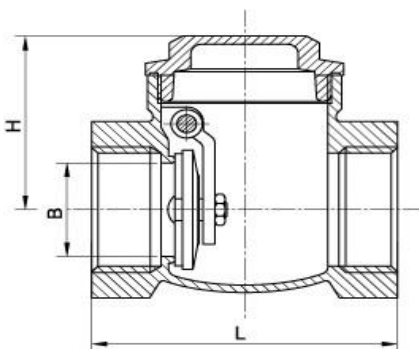
Size	1/2"	3/4"	1"	1-1/4"	1-1/2"	2"
L	32.0	38.0	44.0	65.0	69.0	80.0
H	46.0	48.0	54.0	65.0	70.0	86.0

The specification and dimensions are subject to change without prior notice!

BRASS SWING-CHECK VALVE

SERIES AB401

Nominal Pressure: PN 16
Medium: Water, non-corrosive fluids & fluids compatible to the "material of construction"
Temperature: -20°C to 100°C
Pipe thread: According to ISO 228/1



Material of construction:

Parts	Material
Body	Brass
Bonnet	Brass
Disc	Brass
Rocker	Brass
Axis Pin	Brass
Seat	NBR

Size	1/2"	3/4"	1"	1-1/4"	1-1/2"	2"	2-1/2"	3"	4"
L	50.0	60.0	74.0	84.0	94.0	114.0	146.0	165.0	192.0
H	35.0	40.0	47.5	53.0	60.0	70.0	86.0	102.0	122.0
B	13.0	19.0	25.0	30.0	36.0	46.0	65.0	80.0	100.0

The specification and dimensions are subject to change without prior notice!